



Weatherfold 4s Inward Opening

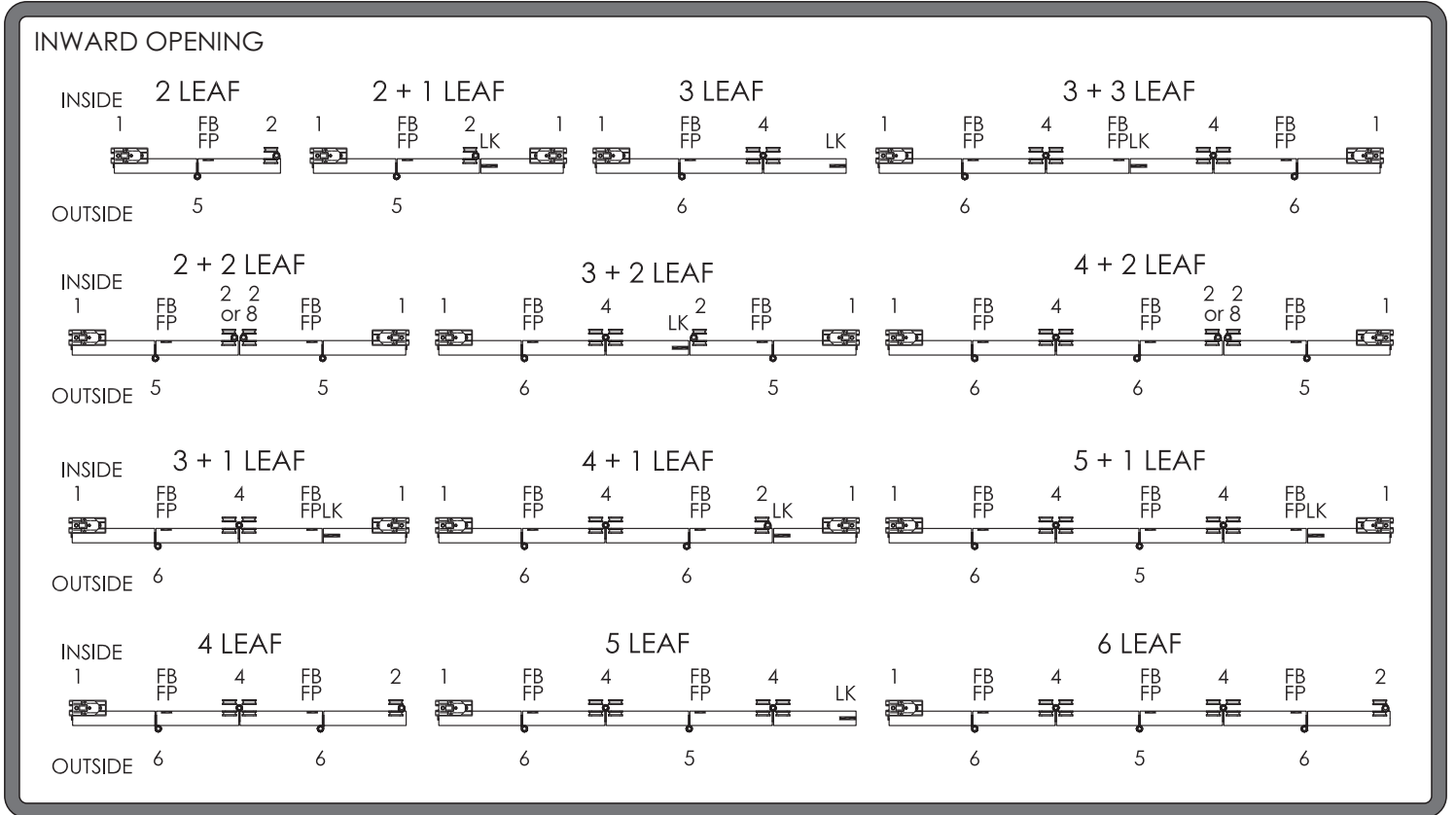
INSTBWS3 REV D - MAR 2017

Brio Australia
 P: +61 2 87186718
 W: brio.com.au
 E: brio.sales@allegion.com

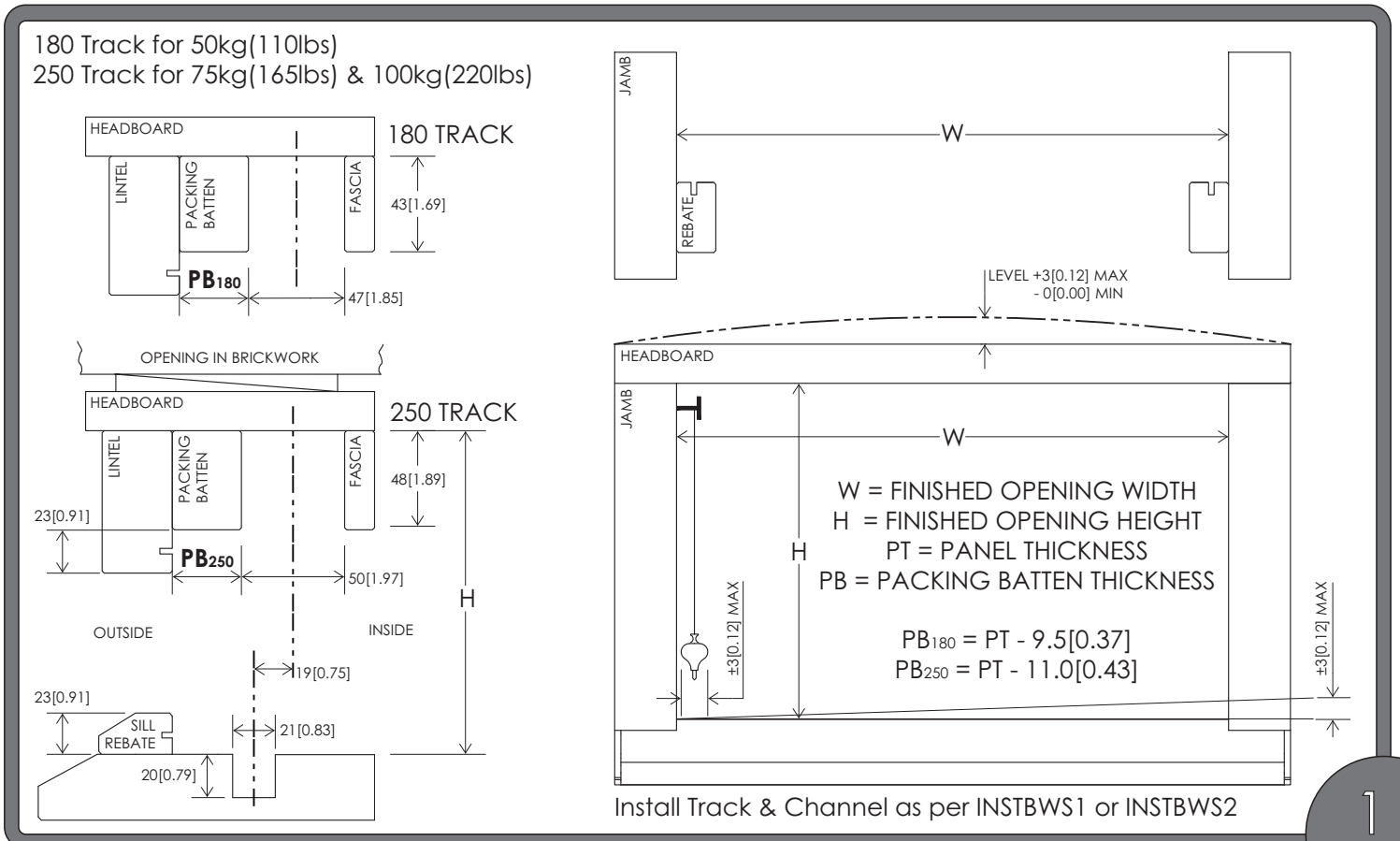
Brio UK
 P: +44 191 2291224
 W: briouk.com
 E: brio.sales.uk@allegion.com

Brio USA
 P: +1 585 3195599
 W: briousa.com
 E: brio.sales.usa@allegion.com

Door Hardware Set Orientation FB = Flush Bolt, FP = Flush Pull, LK = Lock, left systems shown

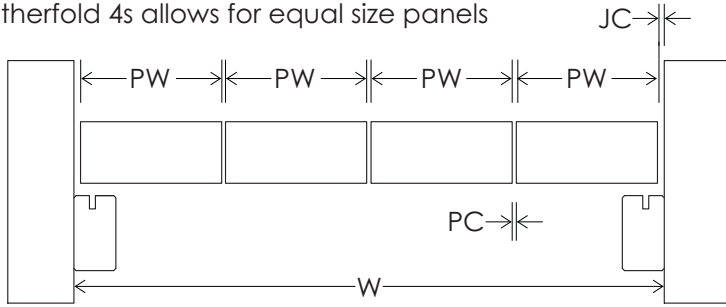


Opening Preparation inward opening system shown, dimensions shown in mm[inches]



Panel Size Calculation free leaf width calculator available from Brio (includes BOM & pricing)

Brio Weatherfold 4s allows for equal size panels

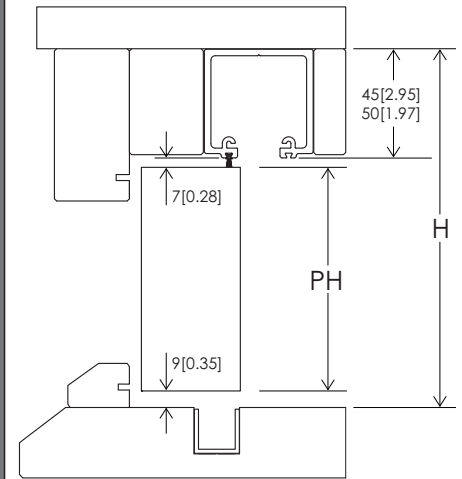


N = No. of Panels
 PW = Panel Width
 JC = Jamb Clearance = 6[0.24]
 PC = Panel Clearance = 4[0.16]

$$PW = \frac{W - [PC(N-1) + 2(JC)]}{N}$$

JC based on panels 850[33.47] wide and 38[1.50] thick

PH = Panel Height

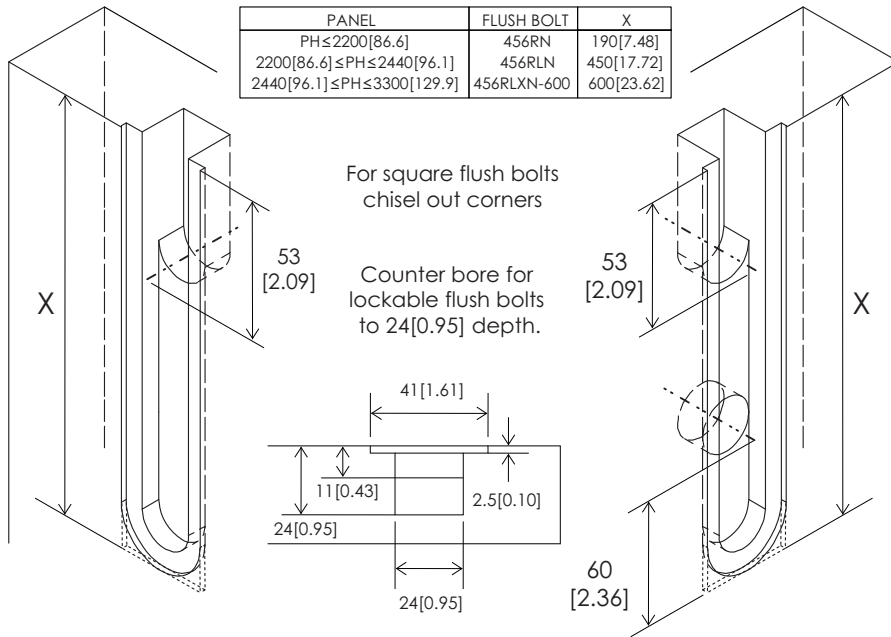


PH_{180 TRACK} = H - 61 [2.40]
 PH_{250 TRACK} = H - 66 [2.60]

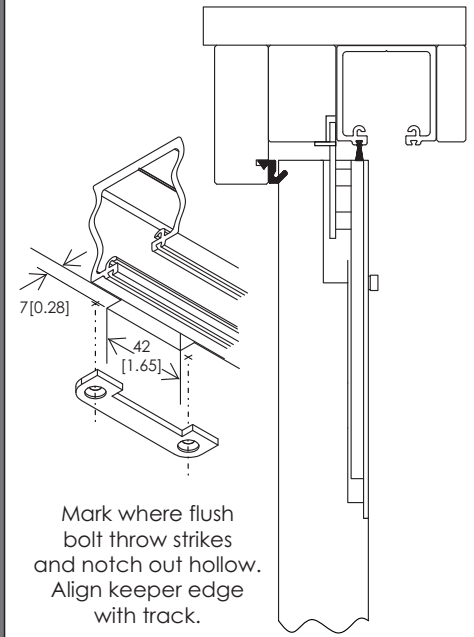
Flush bolt Position see page 2 for flush bolt location for all configurations, router available

Install 456 'N' Type Offset Flush Bolt for top.

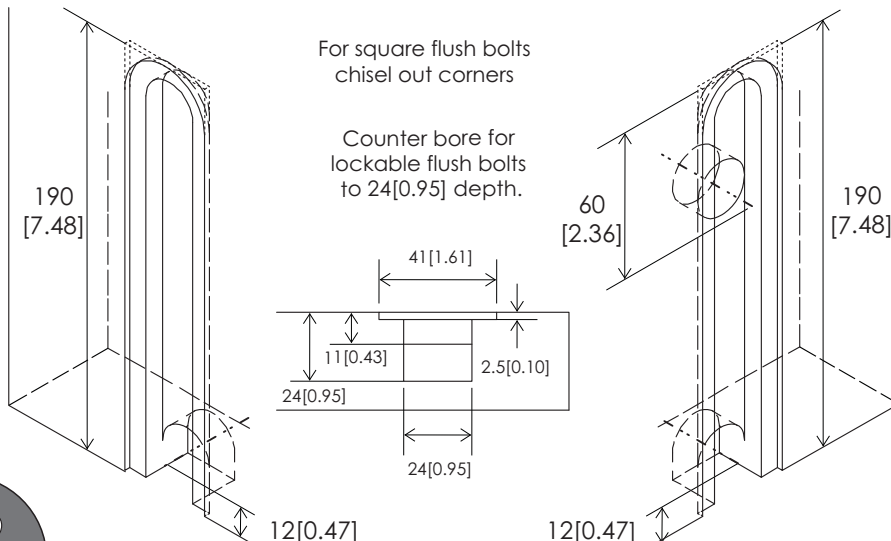
PANEL	FLUSH BOLT	X
PH ≤ 2200 [86.6]	456RN	190 [7.48]
2200 [86.6] ≤ PH ≤ 2440 [96.1]	456RLN	450 [17.72]
2440 [96.1] ≤ PH ≤ 3300 [129.9]	456RLXN-600	600 [23.62]



Install keeper to headboard.



Install 456 'I' Type Channel Flush Bolt for bottom (only available in 1 size)



Retaining bottom Flush bolt's throw

