

Applications

Brio's Open Bar Rail Timber is an ideal internal system for residential and commercial applications of timber panels with face fix hangers and flat bar rail.

Open Bar Rail Timber 80 hangers use precision bearings with nylon tyre.

Panel Specification

Track System:	Open Bar Rail Timber 80
For Individual Panels:	
Max Panel Height	3000mm
Max Panel Width	1100mm
Max Panel Weight	80kg
Panel Thickness	35-44mm

Standard Sets

Sets include hangers, door stops, guide, brackets, fixings and rail.

Set No.	Max. Panel Width	Rail Length	Material
OBF80-20	850mm	2000mm	Stainless steel
OBF80-20PB	850mm	2000mm	Powder coat black
OBF80-20ABZ	850mm	2000mm	Antique bronze
OBF80-25	1100mm	2500mm	Stainless steel
OBF80-25PB	1100mm	2500mm	Powder coat black
OBF80-25ABZ	1100mm	2500mm	Antique bronze

Hardware Specification

Alternative Guides:

Timber panels - SS plate (94 channels)	106E/94
Timber panels - SS plate (96W channel)	106SSMF
Timber panels - nylon guide	101N
Multiple panels	102W/94SS
Nylon spring loaded guide	108N/814

Channels:

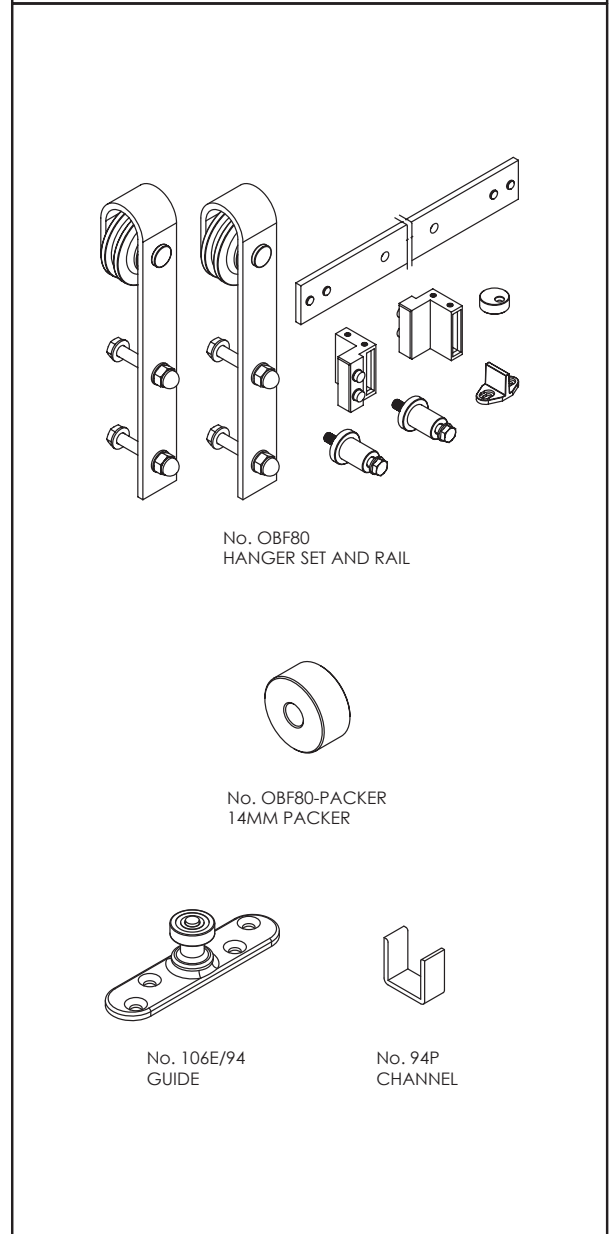
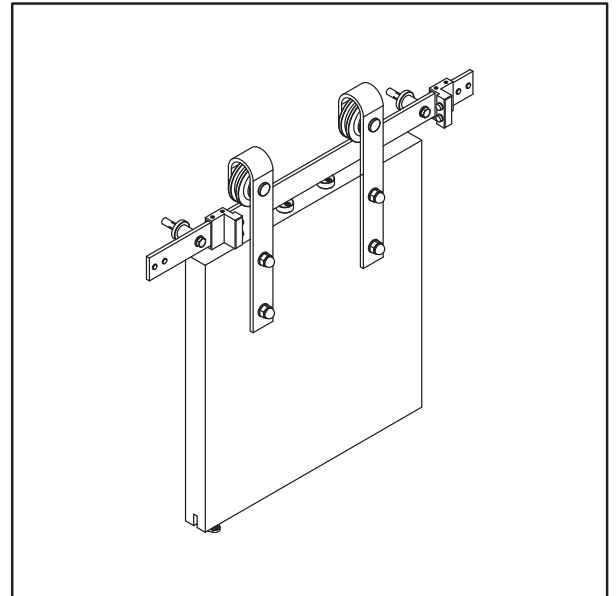
Aluminium & Polypropylene	94PPA Clear anodised
Aluminium	94A Clear anodised
	96W Clear anodised
Standard lengths	2000mm, 3000mm, 4000mm and 6000mm

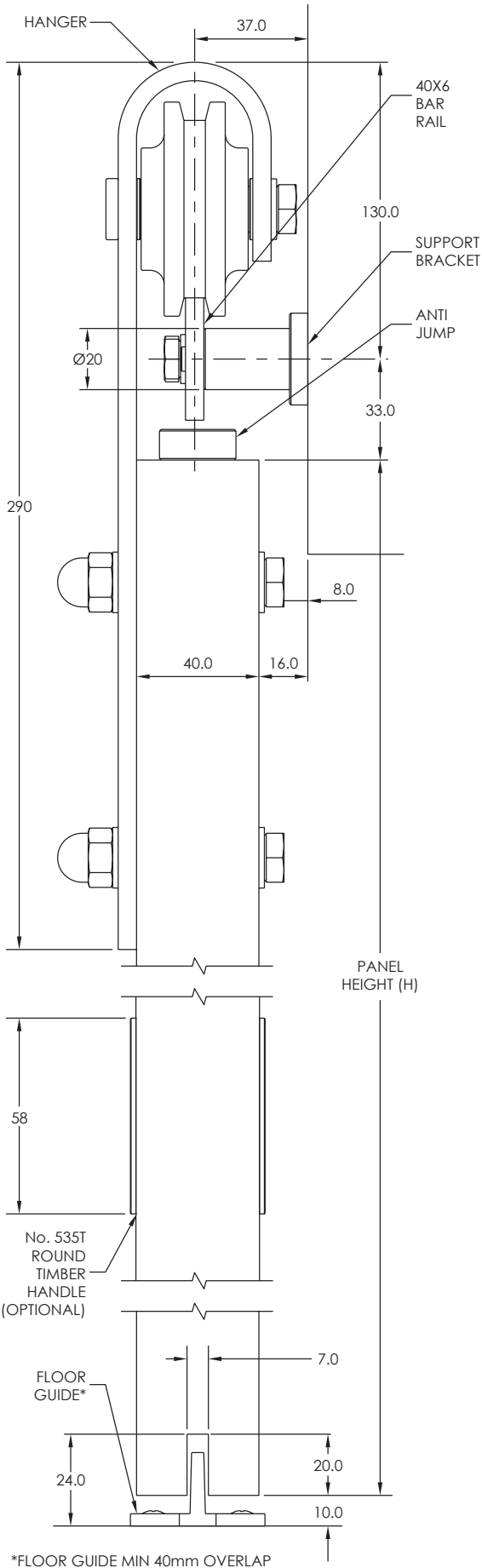
Bracket:

Joining bracket	80B-JB, 80B-JBPB or 80B-JBABZ
-----------------	-------------------------------

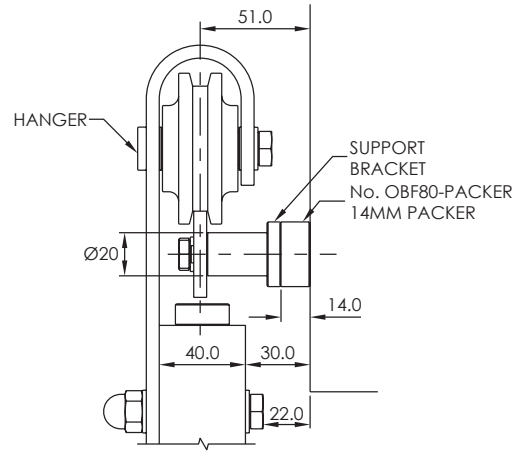
Wall Bracket Spacer Discs:

14mm thick spacer discs for use behind rail mounting posts	
OBF80 - Packer SS	
OBF80 - Packer PBK	
OBF80 - Packer ABZ	

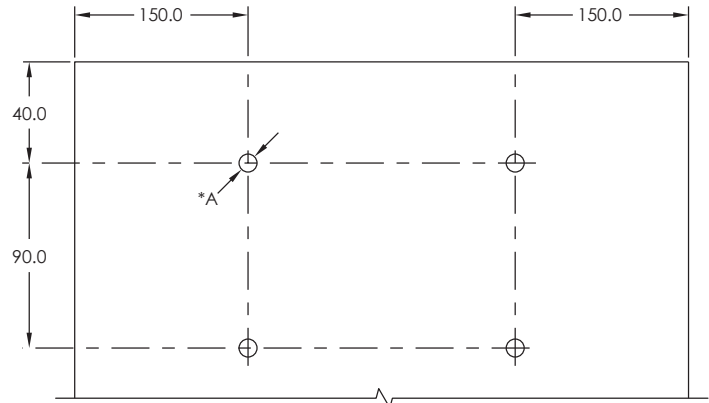




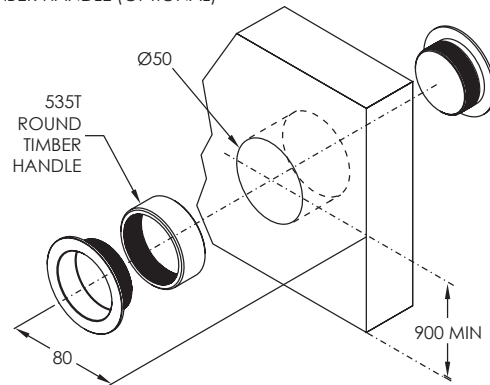
PACKER
FOR PANELS OVER 40MM (MAX 44MM) OR TO CLEAR ARCHITRAVES / SKIRTING BOARDS



DOOR PREPARATION
HANGERS (INSIDE FACE OF DOOR SHOWN)
A = STANDARD NUT AND BOLT OPTION PILOT HOLE Ø10.0 X 4
COACH SCREW PILOT HOLE Ø8.0 X 4



ROUND TIMBER HANDLE (OPTIONAL)



OPTIONAL GUIDES

