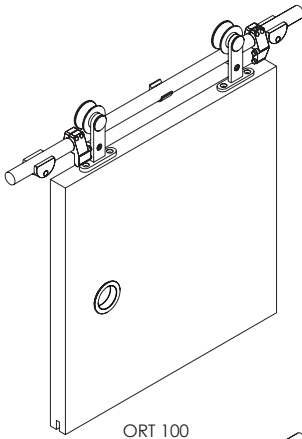
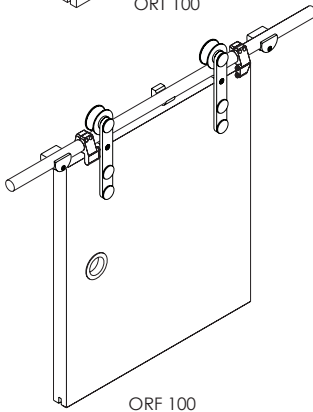


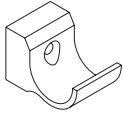
# Open Round Rail Timber 100



ORT 100



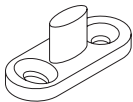
ORF 100



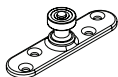
100F-RB BRACKET



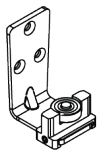
100-RB BRACKET



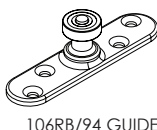
531T GUIDE



106E/94 GUIDE



106A/94 GUIDE



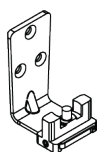
106RB/94 GUIDE



94PPA CHANNEL  
23mm x 25mm



94P CHANNEL  
20mm x 20mm



106AT GUIDE

Maximum door weight	100kg
Minimum door thickness	35 - 40mm

## Track

Description	Code
2m Round rail with end caps - stainless steel	100OR-20
2.5m Round rail with end caps - stainless steel	100OR-25
3m Round rail with end caps - stainless steel	100OR-30
4m Round rail with end caps - stainless steel	100OR-40
2m Round rail with end caps - PVD black	100OR-20PR
2.5m Round rail with end caps - PVD black	100OR-25PR
3m Round rail with end caps - PVD black	100OR-30PR

## Fittings packs

Description	Code
<b>Pack includes 2 hangers, 2 doorstops, 1 guide, 1 flush pull, brackets and fixings</b>	
Open Round Rail Timber 100 - Top Fix - fittings pack - stainless steel	ORT100
Open Round Rail Timber 100 - Top Fix - fittings pack - PVD black	ORT100PR
Open Round Rail Timber 100 - Face Fix - fittings pack - stainless steel	ORF100
Open Round Rail Timber 100 - Face Fix - fittings pack - PVD black	ORF100PR

## Additional wall mounting brackets

Description	Code
<b>None required for 2m track, 1 for 2.5m track, 2 for 3m track and 4 for 4m track</b>	
Support bracket for round rail (top fix system) - stainless steel	100-RB
Support bracket for round rail (top fix system) - PVD black	100-RBPR
Support bracket for round rail (face fix system) - stainless steel	100F-RB
Support bracket for round rail (face fix system) - PVD black	100F-RBPR

## Guides

Description	Code
Stainless steel sawcut guide	531T
Stainless steel sawcut guide - PVD black finish	531TPR
Adjustable guide for multiple panels	106AT
94 Series guide - stainless steel plate and precision bearing	106E/94
94 Series guide - large stainless steel mounting plate and precision bearing	106RB/94
94 Series guide - stainless steel angle plate with adjustable precision bearing	106A/94

## Guide channels

Description	Code
2m 94 Series polypropylene channel - black	94P-20
2.5m 94 Series polypropylene channel - black	94P-25
3m 94 Series polypropylene channel - black	94P-30
4m 94 Series polypropylene channel - black	94P-40
5m 94 Series polypropylene channel - black	94P-50
6m 94 Series polypropylene channel - black	94P-60
2m 94 Series polypropylene channel with aluminium support - anodised finish	94PPA-A20
2.5m 94 Series polypropylene channel with aluminium support - anodised finish	94PPA-A25
3m 94 Series polypropylene channel with aluminium support - anodised finish	94PPA-A30
4m 94 Series polypropylene channel with aluminium support - anodised finish	94PPA-A40
5m 94 Series polypropylene channel with aluminium support - anodised finish	94PPA-A50
6m 94 Series polypropylene channel with aluminium support - anodised finish	94PPA-A60