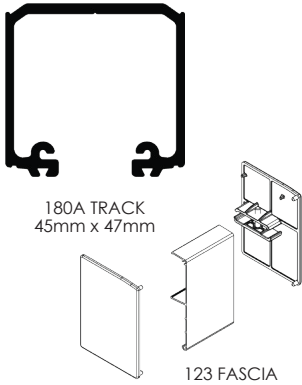


Single Run 180



180A TRACK
45mm x 47mm

123 FASCIA

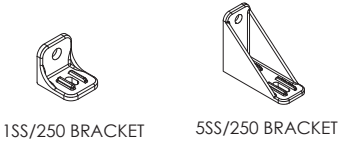
Maximum door weight	180kg
Minimum door thickness	35mm

Tracks

Description	Code
2m aluminium - anodised finish	180A-A20
3m aluminium - anodised finish	180A-A30
4m aluminium - anodised finish	180A-A40
6m aluminium - anodised finish	180A-A60

Fascia

Description	Code
2m Fascia and end cap set for 180A Track - anodised finish	183-20CA
3m Fascia and end cap set for 180A Track - anodised finish	183-30CA
4m Fascia and end cap set for 180A Track - anodised finish	183-40CA
6m Fascia and end cap set for 180A Track - anodised finish	183-60CA

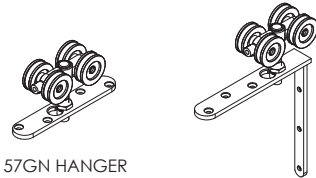


1SS/250 BRACKET

5SS/250 BRACKET

Brackets - for wall fixing track

Description	Code
Heavy duty bracket - cast stainless steel	1SS/250
Heavy duty bracket for hanging two lines of track - cast stainless steel	5SS/250

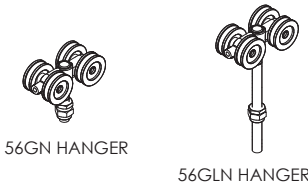


57GN HANGER

52GN HANGER

Hangers - for timber doors

Description	Code
Type 52 - nylon wheels with chrome steel bearings	52GN
Type 52 - nylon wheels with stainless steel bearings	52SS/GN
Type 57 - nylon wheels with chrome steel bearings	57GN
Type 57 - nylon wheels with stainless steel bearings	57SS/GN

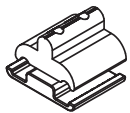


56GN HANGER

56GLN HANGER

Hangers - for metal doors

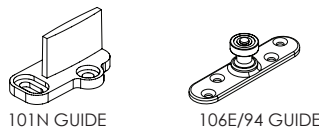
Description	Code
Type 56 - nylon wheels with chrome steel bearings	56GN
Type 56 - nylon wheels with stainless steel bearings	56SS/GN
Type 56L - nylon wheels with chrome steel bearings	56GLN
Type 56L - nylon wheels with stainless steel bearings	56SS/GLN



180DS DOOR STOP

Door stops

Description	Code
Track mounted door stop	180DS

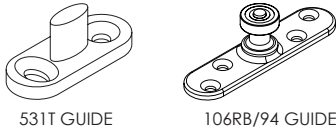


101N GUIDE

106E/94 GUIDE

Guides

Description	Code
Stainless steel sawcut guide	531T
Adjustable guide for multiple panels	106AT
94 Series guide - stainless steel plate and precision bearing	106E/94
94 Series guide - large stainless steel mounting plate and precision bearing	106RB/94
94 Series guide - stainless steel angle plate with adjustable precision bearing	106A/94

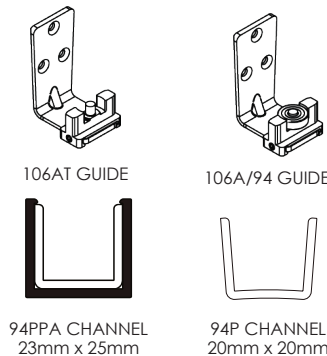


531T GUIDE

106RB/94 GUIDE

Guide channels

Description	Code
2m 94 Series polypropylene channel - black	94P-20
2.5m 94 Series polypropylene channel - black	94P-25
3m 94 Series polypropylene channel - black	94P-30
4m 94 Series polypropylene channel - black	94P-40
5m 94 Series polypropylene channel - black	94P-50
6m 94 Series polypropylene channel - black	94P-60
2m 94 Series polypropylene channel with aluminium support - anodised finish	94PPA-A20
2.5m 94 Series polypropylene channel with aluminium support - anodised finish	94PPA-A25
3m 94 Series polypropylene channel with aluminium support - anodised finish	94PPA-A30
4m 94 Series polypropylene channel with aluminium support - anodised finish	94PPA-A40
5m 94 Series polypropylene channel with aluminium support - anodised finish	94PPA-A50
6m 94 Series polypropylene channel with aluminium support - anodised finish	94PPA-A60



106AT GUIDE

106A/94 GUIDE

94PPA CHANNEL
23mm x 25mm

94P CHANNEL
20mm x 20mm