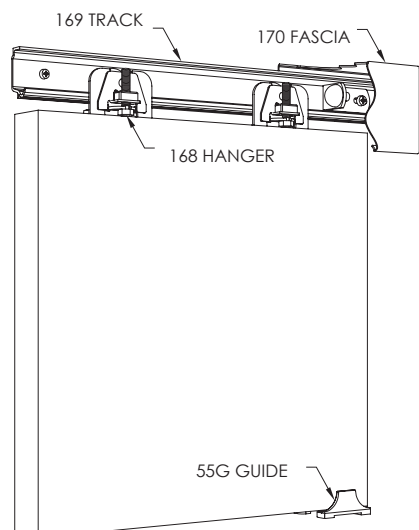


# Sprintline 30



Maximum door weight	30kg
Minimum door thickness	25mm

Sets - includes track and fittings for one door

Description	Code
Kit suitable to hang one door, comprising: 1.6m length of aluminium track, two door hangers, two track mounted door stops, one sawcut guide, one surface mounted guide, all screws and installation instructions.	SL30-16/1
Kit suitable to hang one door, comprising: 2.4m length of aluminium track, two door hangers, two track mounted door stops, one sawcut guide, one surface mounted guide, all screws and installation instructions.	SL30-24/1

## Fittings pack

Description	Code
Fittings pack with all items needed to hang one door (excluding track), pack comprises two door hangers, two track mounted door stops, one sawcut guide, one surface mounted guide, all screws and installation instructions.	SL30-1PK

## Components

Description	Code
1.6m Sprintline 30 track	169-16
2.4m Sprintline 30 track	169-24
Track mounted door stop - steel with rubber buffer	263
Wall mounted door stop - nylon	28N
Floor mounted surface guide - nylon	55G
Sprintline door hanger	168
Sawcut guide - nylon - floor mounted	101N

## Optional fascia

Description	Code
1.8m hook-on aluminium fascia in pearl white finish includes end caps	170-18
3m hook-on aluminium fascia in pearl white finish includes end caps	170-30

## Alternative door guide systems

Description	Code
Surface guide - nylon - wall mounted - adjustable	103WA
Stainless steel sawcut guide	531T
81 or 92 Series spring loaded guide - stainless steel	801S
81 Series nylon guide (pair)	113N/81
1.2m 81 Series guide channel - aluminium - anodised finish	81-A12
1.8m 81 Series guide channel - aluminium - anodised finish	81-A18
2.4m 81 Series guide channel - aluminium - anodised finish	81-A24
3.6m 81 Series guide channel - aluminium - anodised finish	81-A36
4m 92 Series threshold guide channel - aluminium - anodised finish	92-A40
6m 92 Series threshold guide channel - aluminium - anodised finish	92-A60

