

Briton 1130B-T Door Closer

Allegion Australia
 Freephone 1800 098 094
 Freefax 1800 098 095
 Email ainfo@allegion.com
 www.allegion.com.au

Allegion New Zealand
 Freephone 0800 477 869
 Freefax 0800 477 868
 Email nzinfo@allegion.com
 www.allegion.co.nz

© 2014 Allegion



1

1. Prepare fixing holes in door and frame (use template)
 2. Assemble arm to body at 45° to back face. Secure arm and rail foot with bolts provided.

2

3. Fix body to door (4 screws). Slip rail foot into track and insert end cap.

3

4. Push track and arm towards frame and secure in position (2 screws).

4

See instructions on rear of trim plate

NO.2 Latching
 NO.1 Closing
 Back Check
 Closing Force
 SW5

5. When adjusting please note three is a MAXIMUM OF 2 TURNS. Over adjustment will affect the performance of the closer. In such instance our Guarantee becomes VOID.

5

6. Insert trim plate and lower spindle cover.

IMPORTANT INSTALLATION NOTES:



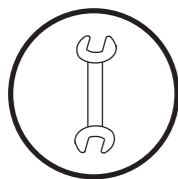
AFTER INSTALLATION, PLEASE CHECK AND TEST:

1. Open the door leaf to its maximum opening angle and release. The door leaf should close fully into the door frame and overcome the latch.
2. Open the door leaf and rest the latch bolt on the striker plate. Release the door leaf. The door closer should have sufficient power to latch the door leaf closed.
3. Back-check provides a cushioning effect when the door is forcibly thrown open but does not serve as substitute for a door stop.



WARNING:

1. Due to door closer power sizes 1&2 are NOT considered suitable for use fire/smoke door assemblies. Therefore, the minimum spring strength allowed for fire/smoke door assemblies is spring strength 3.
2. The mechanical hold open devices must NOT be installed on fire/smoke door.
3. Door closer should NOT be opened beyond the max. Opening angle of the power size you selected.
4. This door closer contains a powerful spring, which is inserted into the body under pressure. Under circumstances should not attempt to dismantle the door closer.



MAINTENANCE:

1. Check the door closer every three months to ensure all fixings are secure and adjust, if necessary, adjust the closing and latching speed and make the door operating both functionally and smoothly, in accordance with the expectations of EN 1154:1997.
2. Apply light oil to arm knuckle joint and door hinges.

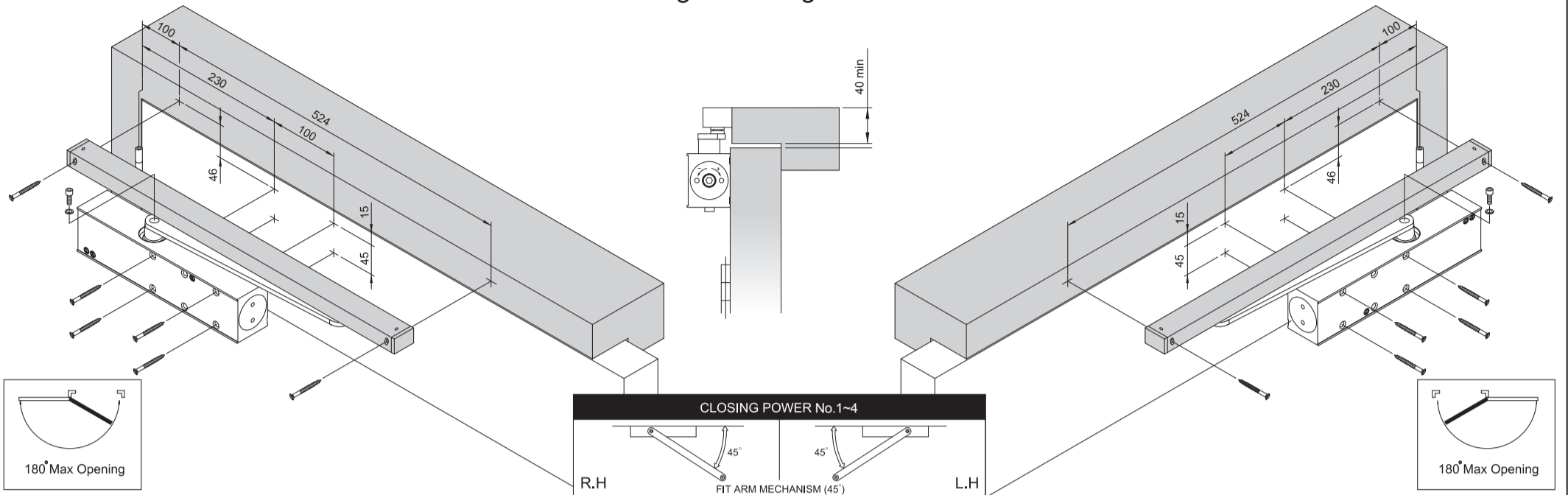
1130B-T TRACK CLOSER

Force	Max. door width	Max. door weight	Max. opening angle	Number of turns	Direction
⊕ NO.1	750mm	20kg	180°	0	—
NO.2	850mm	40kg	180°	+3	Clockwise
NO.3	950mm	60kg	180°	+3~+8	Clockwise
NO.4	1100mm	80kg	180°	+8~+14	Clockwise

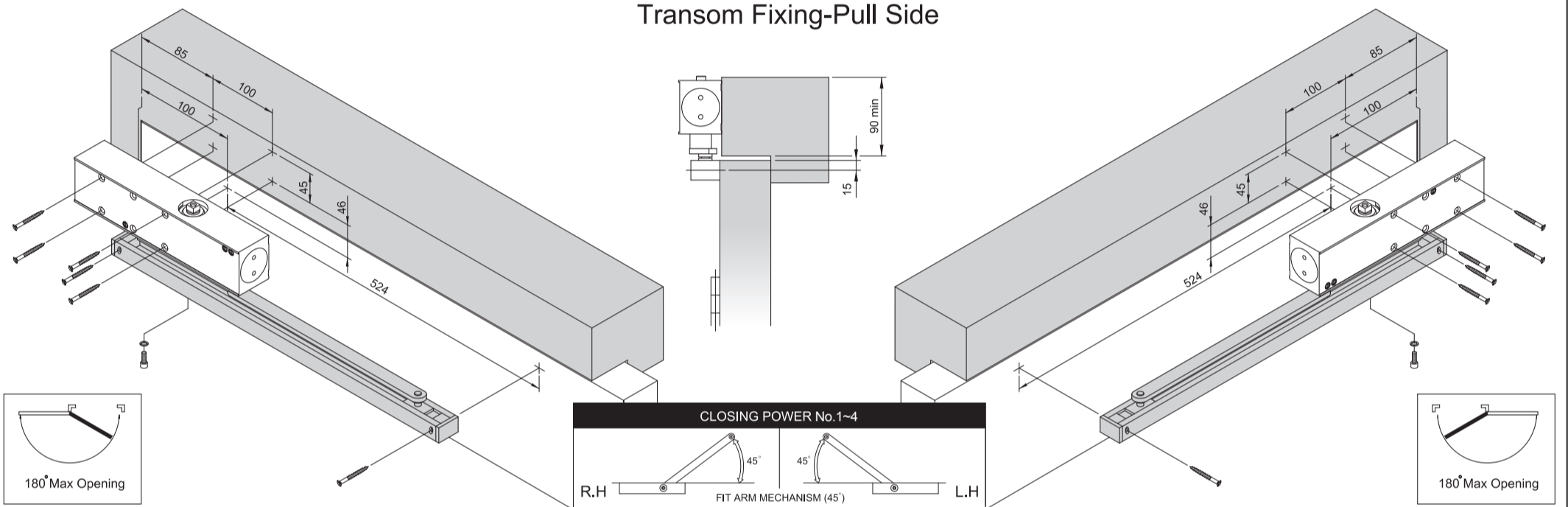
⊕ FACTORY PRE-SET

Briton 1130B-T Door Closer

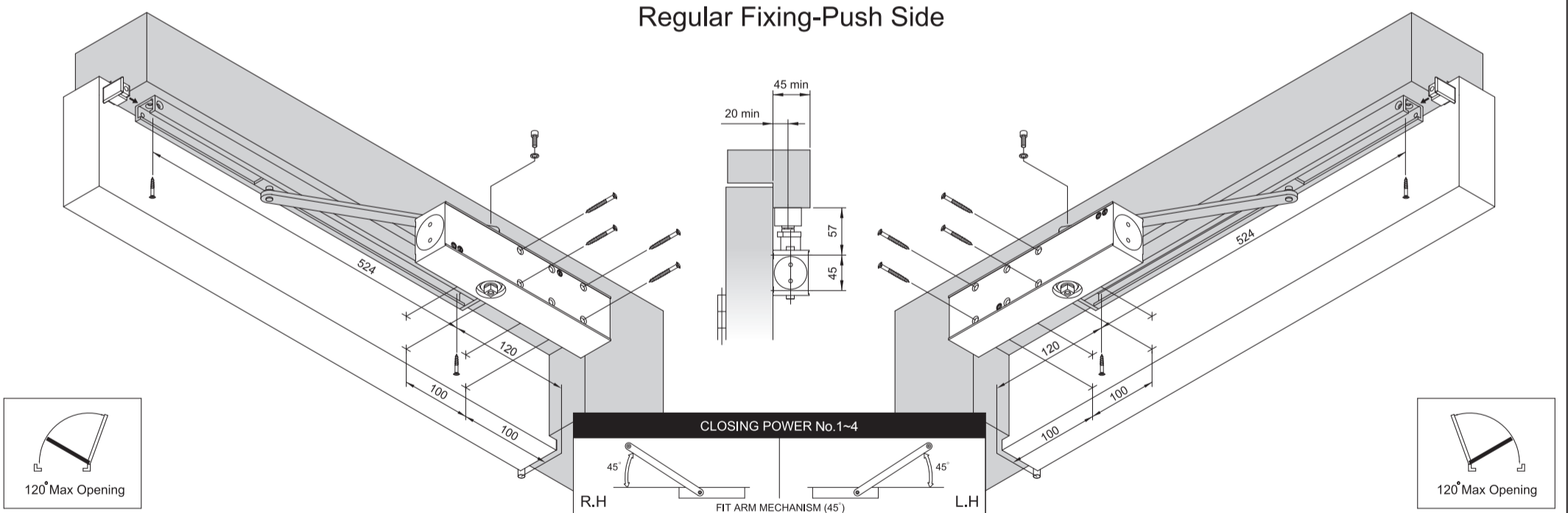
Regular Fixing-Pull Side



Transom Fixing-Pull Side



Regular Fixing-Push Side



Transom Fixing-Push Side

