

CL100 Flush Turn

The **CL100 Flush Turn** is specifically designed for sliding doors. It incorporates machined brass component that is either polished or satin chrome plated depending on the finish required.

Because of its shallow fitting depth and positive feel to the turn, this is a popular side handle for both latching and non-latching applications.

When combined with the CL100 mortice lock and euro profile cylinder it makes for a great looking security option.

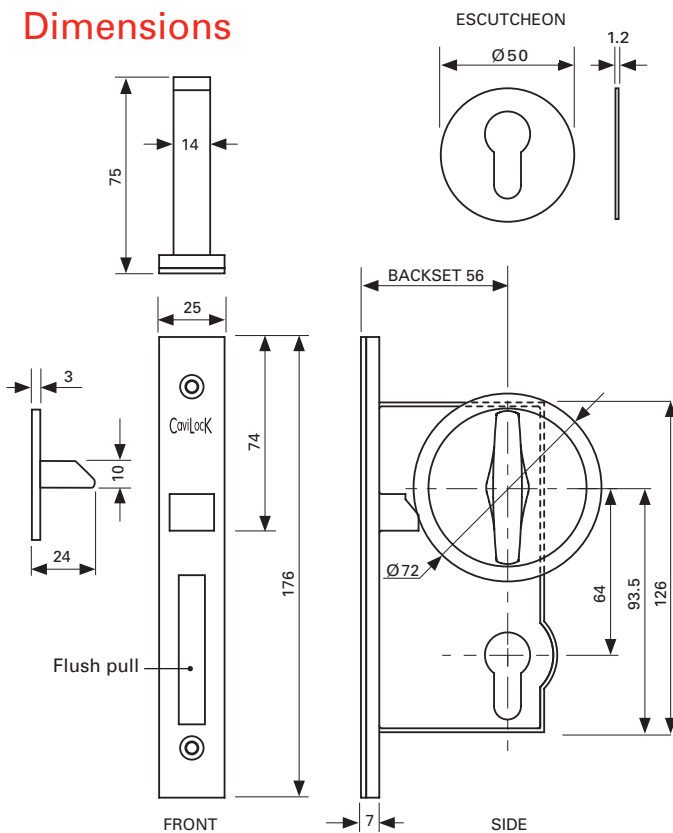
Finishes available: SCP or PB.

Requires minimum door thickness of 37mm.

Construction

Case:	Diecast Zinc
Internal Parts:	Bronze/Brass
Screws, springs etc:	Stainless Steel
Faceplate & striker:	Brushed Stainless Steel or Brass (depending on finish req.)

Dimensions



CL100 Flush Turn with key locking fitted to a timber veneer door.

Flush Pulls

All CL100 Lock Cases come with the option of a built-in Flush Pull in either Stainless Steel or Brass.

This Flush Pull is designed for use on doors which slide completely inside a cavity wall.

CL100 Flush Turn and Flush Pull on a CS NewYorker door leaf



Finish Options & Configurations

▀ Satin Chrome

- CL100A1004 (Key/Key)
- CL100A9004 (Latching only)

▀ Polished Brass

- CL100A1005 (Key/Key)
- CL100A9005 (Latching only)

For other configurations, including Exit Free options, please refer to the CL100 brochure (available from the CaviLock section on our website).

Drawings & pictures are not to scale. All dimensions in millimetres. © Cavity Sliders Limited.

info@csfordoors.co.nz
www.csfordoors.co.nz

Bay of Plenty / Waikato
T 07 928 0800
F 07 928 2525

Christchurch
T 03 348 6158
F 03 348 6150

Wellington
T 04 473 9994
F 04 473 9995


The Cavity Slider Experts

Auckland Head Office
T 09 276 0800
F 09 276 2525