



**Passage**



**Privacy Snib**



**Key Locking**



**Bi-Parting (Double Doors)**



**Universal Design**



## CL400<sup>®</sup> Magnetic

The **CL400<sup>®</sup> Magnetic** is a range of modern architectural hardware for sliding doors. The range covers Passage, Privacy, Key Locking, Bi-Parting and Accessible configurations.

This high quality, wrap around handle is easy to fit, requiring no complicated mortice cutout.

High quality door hardware for most interior sliding applications.



↑ 1 - CaviLock CL400 Passage (latching) handle in Satin Chrome fitted to a timber door.



- ▮ Architectural styling with a wide range of configurations and finish options available
- ▮ Suitable for use on timber doors as well as the **CS NewYorker<sup>®</sup>** aluminium framed door
- ▮ No on site alteration of handle is required
- ▮ Reliable, high quality components
- ▮ Suitable for cavity or surface sliding doors\*
- ▮ Step by step installation instructions with detailed diagrams and templates are included
- ▮ Can be used to upgrade existing hardware by retrofitting over smaller box cutout

Positive grip for heavy doors

Simple cutout ensures quick fitting

Front edge incorporates a finger hole to retrieve door from the pocket

Moving parts sit flush until the door closes to minimise wear

Patented magnetic catch and plunger action produces a positive hold close without the need to activate the snib

Hidden fixing screws - only three small screws showing on the face plate

Available with a choice of face plate widths

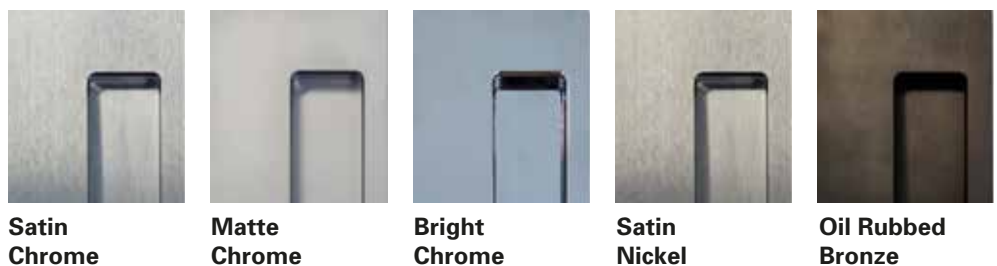
Striker can be adjusted 2.5mm up or down once installed

Striker sits flush with the closing jamb

*\* Not suitable as a secure exterior lock.*

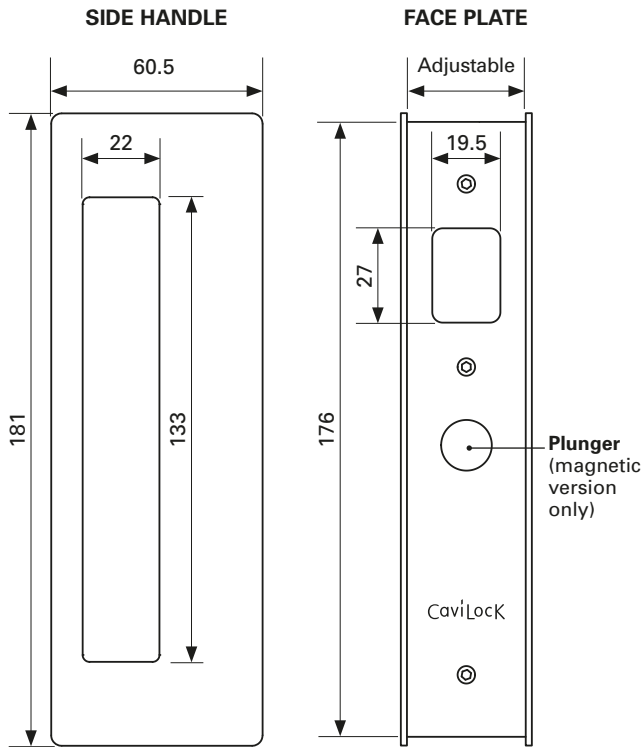
## Finish Options

All CL400 handles are available in a range of finishes. Custom finishes are available by special order.



The CL400 Magnetic is a stylish architectural option for passage handles. Designed to complement the privacy and locking range, this handle features a positive hold close action to ensure the door doesn't bounce off the closing jamb. A non-magnetic option also available.

## Dimensions

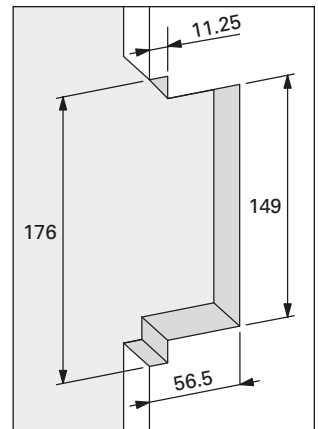


▲ 2 - CL400 Passage (non latching). Satin Chrome finish.

## Door Cutout

The CL400 Magnetic requires a simple door cut out.

Complete instructions and templates are supplied with every handle.



## CL400 Passage Configurations

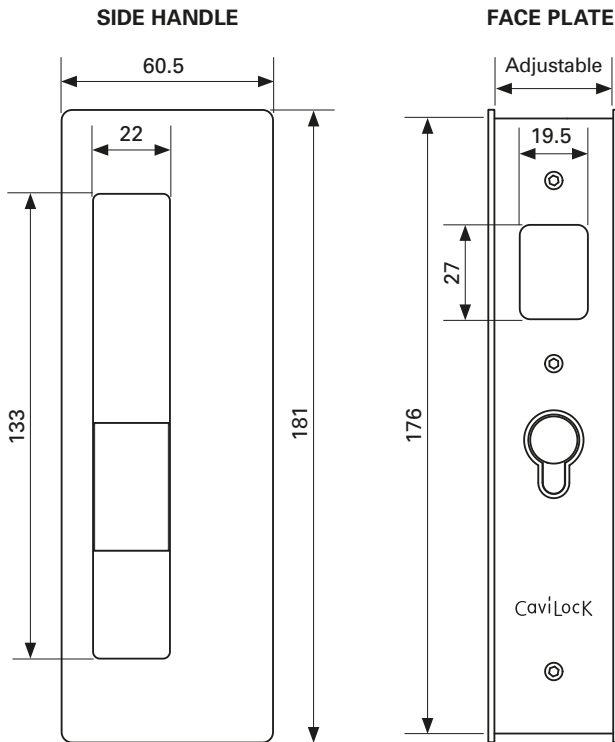
Function	Finish	Door Thickness		
		34-40mm	40-46mm	46-52mm
Blank/Blank (Non-latching)	Bright Chrome	CL400A0025	CL400A0026	CL400A0027
	Satin Chrome	CL400A0125	CL400A0126	CL400A0127
	ORB	CL400A0225	CL400A0226	CL400A0227
	Satin Nickel	CL400A0325	CL400A0326	CL400A0327
	Matte Chrome	CL400A0525	CL400A0526	CL400A0527
Blank/Blank (Mag latching)	Bright Chrome	CL400A0028	CL400A0029	CL400A0030
	Satin Chrome	CL400A0128	CL400A0129	CL400A0130
	ORB	CL400A0228	CL400A0229	CL400A0230
	Satin Nickel	CL400A0328	CL400A0329	CL400A0330
	Matte Chrome	CL400A0528	CL400A0529	CL400A0530



▲ 3 - CL400 Passage (latching). Oil Rubbed Bronze finish.

The CL400 Privacy option matches the other configurations in the range. The magnetic latching feature ensures the door doesn't roll open - even if the snib is not engaged.

## Dimensions



4 - CL400 Privacy Snib/ Snib option. Satin Chrome finish.

## CL400 Privacy Configurations

Function	Finish	Door Thickness		
		34-40mm	40-46mm	46-52mm
	Bright Chrome	CL400B0025	CL400B0030	CL400B0035
	Satin Chrome	CL400B0125	CL400B0130	CL400B0135
	ORB	CL400B0225	CL400B0230	CL400B0235
	Satin Nickel	CL400B0325	CL400B0330	CL400B0335
	Matte Chrome	CL400B0525	CL400B0530	CL400B0535
	Bright Chrome	CL400B0026	CL400B0031	CL400B0036
	Satin Chrome	CL400B0126	CL400B0131	CL400B0136
	ORB	CL400B0226	CL400B0231	CL400B0236
	Satin Nickel	CL400B0326	CL400B0331	CL400B0336
	Matte Chrome	CL400B0526	CL400B0531	CL400B0536
	Bright Chrome	CL400B0027	CL400B0032	CL400B0037
	Satin Chrome	CL400B0127	CL400B0132	CL400B0137
	ORB	CL400B0227	CL400B0232	CL400B0237
	Satin Nickel	CL400B0327	CL400B0332	CL400B0337
	Matte Chrome	CL400B0527	CL400B0532	CL400B0537
	Bright Chrome	CL400B0028	CL400B0033	CL400B0038
	Satin Chrome	CL400B0128	CL400B0133	CL400B0138
	ORB	CL400B0228	CL400B0233	CL400B0238
	Satin Nickel	CL400B0328	CL400B0333	CL400B0338
	Matte Chrome	CL400B0528	CL400B0533	CL400B0538
	Bright Chrome	CL400B0029	CL400B0034	CL400B0039
	Satin Chrome	CL400B0129	CL400B0134	CL400B0139
	ORB	CL400B0229	CL400B0234	CL400B0239
	Satin Nickel	CL400B0329	CL400B0334	CL400B0339
	Matte Chrome	CL400B0529	CL400B0534	CL400B0539

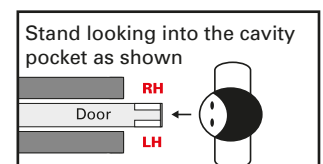


5 - CL400 Privacy - Emergency Release/Snib option. Matte Chrome finish.

## Handing

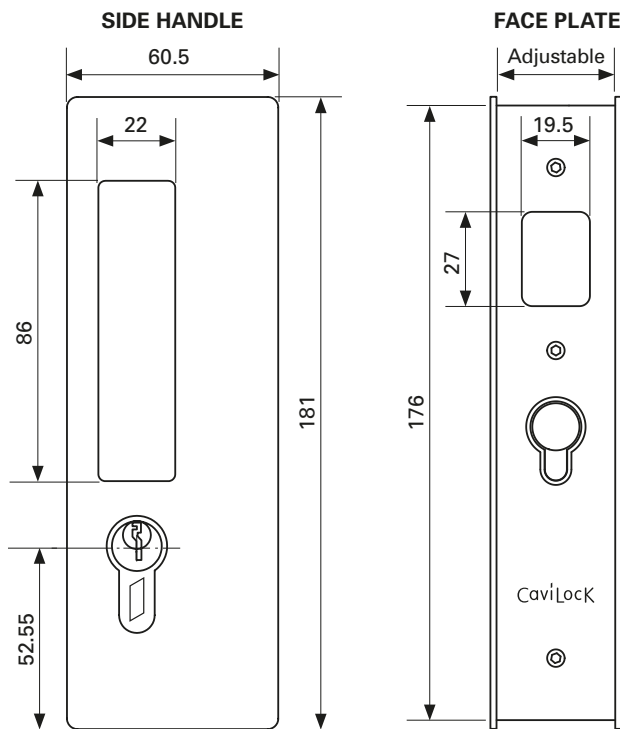
Handing is determined at time of manufacture and cannot be altered on site. Careful selection of handing options is required at time of order.

See diagram for determining handing of functions.



The CL400 Key Locking option is suitable for residential or light commercial use in internal situations where medium security is required. It incorporates a 3 pin single or double Euro Profile cylinder, which suits most door thicknesses. All Key Locking handles come with a raised shroud as standard for increased security.\*

## Dimensions



↑ 6 - CL400 Key/Key option. Satin Nickel finish.

## CL400 Key Configurations

Function	Finish	Door Thickness		
		34-40mm	40-46mm	46-52mm
	Bright Chrome	CL400C0025	CL400C0035	CL400C0045
	Satin Chrome	CL400C0125	CL400C0135	CL400C0145
	ORB	CL400C0225	CL400C0235	CL400C0245
	Satin Nickel	CL400C0325	CL400C0335	CL400C0345
	Matte Chrome	CL400C0525	CL400C0535	CL400C0545
	Bright Chrome	CL400C0026	CL400C0036	CL400C0046
	Satin Chrome	CL400C0126	CL400C0136	CL400C0146
	ORB	CL400C0226	CL400C0236	CL400C0246
	Satin Nickel	CL400C0326	CL400C0336	CL400C0346
	Matte Chrome	CL400C0526	CL400C0536	CL400C0546
	Bright Chrome	CL400C0027	CL400C0037	CL400C0047
	Satin Chrome	CL400C0127	CL400C0137	CL400C0147
	ORB	CL400C0227	CL400C0237	CL400C0247
	Satin Nickel	CL400C0327	CL400C0337	CL400C0347
	Matte Chrome	CL400C0527	CL400C0537	CL400C0547
	Bright Chrome	CL400C0028	CL400C0038	CL400C0048
	Satin Chrome	CL400C0128	CL400C0138	CL400C0148
	ORB	CL400C0228	CL400C0238	CL400C0248
	Satin Nickel	CL400C0328	CL400C0338	CL400C0348
	Matte Chrome	CL400C0528	CL400C0538	CL400C0548
	Bright Chrome	CL400C0029	CL400C0039	CL400C0049
	Satin Chrome	CL400C0129	CL400C0139	CL400C0149
	ORB	CL400C0229	CL400C0239	CL400C0249
	Satin Nickel	CL400C0329	CL400C0339	CL400C0349
	Matte Chrome	CL400C0529	CL400C0539	CL400C0549

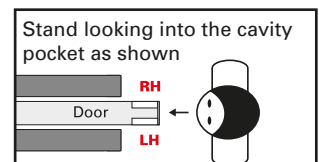


↑ 7 - CL400 Key/Snib option. Oil Rubbed Bronze finish.

## Handing

Handing is determined at time of manufacture and cannot be altered on site. Careful selection of handing options is required at time of order.

See diagram for determining handing of functions.



\* Not suitable as a secure exterior lock.

The CL400 Bi-Parting set is suitable for use where two doors meet in the middle. Passage, Privacy and Key Locking configurations are available.

The positive hold close action brings the doors together smoothly, and holds them together until ready to open.

Note: Privacy and Key Locking configurations are not suitable as a high security option when used in a Bi-Parting door setup.

## Design Features

- ▮ Options include Passage, Privacy and Key Locking.
- ▮ Bi-Parting hardware matches other hardware in the range.
- ▮ Doors slide flush back into the pocket.
- ▮ Available in a range of finishes.
- ▮ Suitable for cavity or surface sliding doors.

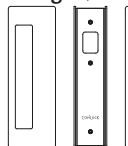
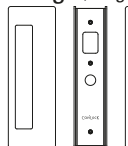
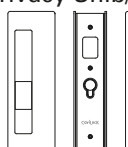
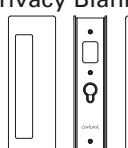
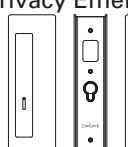


↑ 8 - CL400 Bi-Parting Privacy Emergency/Snib option. Satin Nickel.



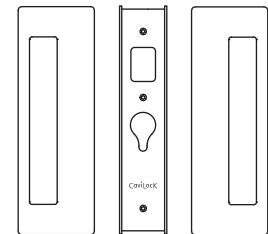
↑ 9 - CL400 Bi-Parting Privacy Emergency/Snib option. Satin Nickel.

## CL400 Bi-Parting Configurations

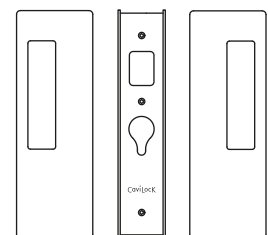
Function	Finish	Door Thickness (EACH CODE BELOW INCLUDES 1 PAIR OF HANDLES)		
		34-40mm	40-46mm	46-52mm
 Passage (non latching)	Bright Chrome	CL400D0025	CL400D0026	CL400D0027
	Satin Chrome	CL400D0125	CL400D0126	CL400D0127
	ORB	CL400D0225	CL400D0226	CL400D0227
	Satin Nickel	CL400D0325	CL400D0326	CL400D0327
	Matte Chrome	CL400D0525	CL400D0526	CL400D0527
 Passage (Mag latching)	Bright Chrome	CL400D0028	CL400D0029	CL400D0030
	Satin Chrome	CL400D0128	CL400D0129	CL400D0130
	ORB	CL400D0228	CL400D0229	CL400D0230
	Satin Nickel	CL400D0328	CL400D0329	CL400D0330
	Matte Chrome	CL400D0528	CL400D0529	CL400D0530
 Privacy Snib/Snib	Bright Chrome	CL400D0035	CL400D0040	CL400D0045
	Satin Chrome	CL400D0135	CL400D0140	CL400D0145
	ORB	CL400D0235	CL400D0240	CL400D0245
	Satin Nickel	CL400D0335	CL400D0340	CL400D0345
	Matte Chrome	CL400D0535	CL400D0540	CL400D0545
 Privacy Blank/Snib	Bright Chrome	CL400D0036	CL400D0041	CL400D0046
	Satin Chrome	CL400D0136	CL400D0141	CL400D0146
	ORB	CL400D0236	CL400D0241	CL400D0246
	Satin Nickel	CL400D0336	CL400D0341	CL400D0346
	Matte Chrome	CL400D0536	CL400D0541	CL400D0546
 Privacy Emerg/Snib	Bright Chrome	CL400D0038	CL400D0043	CL400D0048
	Satin Chrome	CL400D0138	CL400D0143	CL400D0148
	ORB	CL400D0238	CL400D0243	CL400D0248
	Satin Nickel	CL400D0338	CL400D0343	CL400D0348
	Matte Chrome	CL400D0538	CL400D0543	CL400D0548

## Handing

Bi-Parting Privacy Snib One Side and Key One Side handles are supplied with the Snib or Key on the right hand side. If you require them on the left, swap with the Bi-Parting mate on site.



**Matching Handle Set**  
- Passage / Privacy



**Matching Handle Set**  
- Key Locking

The CL400 ADA Magnetic matches the look and functionality of the CL400 Magnetic range with greater accessibility.

Utilising the patented magnetic mechanism of the CL400 Magnetic, this addition to the range provides flexibility for building owners. It uses the same door cutout and striker and is able to be retrofitted over existing CL400 flush handles for the requirements of disabled tenants.

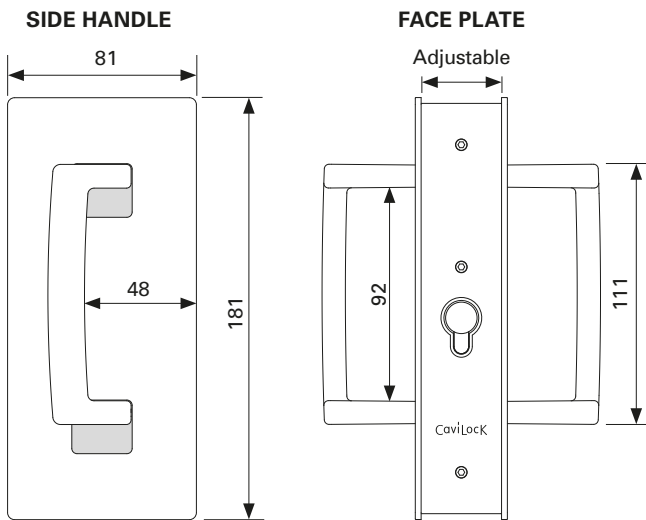
## Design Features

- ▮ Pull handle is easy to use - no tight pinching or twisting of the wrist.
- ▮ Complies with NZS4121:2001\*
- ▮ Specify with the **CS EasyOpen** cavity slider for a complete solution.\*
- ▮ Privacy option is supplied with red/green engaged/vacant indication as standard.
- ▮ Available in Passage, Privacy and Bi-Parting configurations.
- ▮ Suitable for cavity or surface sliding doors.



↑ 10 - CL400 ADA Magnetic Privacy Snib, Satin Chrome.

## Dimensions



↑ 11 - CL400 ADA Magnetic Emergency Release, Satin Chrome.

\* To comply with NZS4121:2001 the offset handle option must be used. The centre of the handle should be positioned between 900mm and 1200mm (1000mm optimal) above finished floor level. The door needs to be at least 910mm wide (Aust. 1050mm) to allow minimum clear walk through of 760mm (Aust. 850mm). There must be a 45mm clear space from edge of pull handle to the nearest door jamb when the door is both fully open and completely closed. A flat closing jamb is recommended. The supplied 'Down to Lock' label must be positioned as close as possible to the handle. Consult local standards for guidelines relating to the specific project.

**Selection Procedure** To order, ensure you have the following information ready (See overleaf for codes):

Function	Door thickness	Finish	Handing Configuration																				
Single Door	34 - 40 mm	Satin Chrome	Handing must be determined at time of manufacture and cannot be altered on site. See diagram for determining handing of functions.																				
Bi-Parting Door	40 - 46 mm	Matte Chrome																					
Passage Non Latching	46 - 52 mm	Bright Chrome	<table border="0"> <tr> <td colspan="2"></td> <td colspan="2">Stand looking into the cavity pocket as shown</td> </tr> <tr> <td>LH</td> <td>RH</td> <td></td> <td></td> </tr> <tr> <td>Blank</td> <td>Blank</td> <td></td> <td></td> </tr> <tr> <td>Snib</td> <td>Snib</td> <td></td> <td></td> </tr> <tr> <td>Emerg.</td> <td>Emerg.</td> <td></td> <td></td> </tr> </table>			Stand looking into the cavity pocket as shown		LH	RH			Blank	Blank			Snib	Snib			Emerg.	Emerg.		
		Stand looking into the cavity pocket as shown																					
LH	RH																						
Blank	Blank																						
Snib	Snib																						
Emerg.	Emerg.																						
Passage Mag Latching	52 mm +	Satin Nickel																					
Privacy Locking	(Special Order)	Oil Rubbed Bronze																					
		Special Order																					



Function	Finish	Door Thickness		
		34-40mm	40-46mm	46-52mm
Passage Blank/Blank (Non-latching)	Bright Chrome	CL406A0025	CL406A0026	CL406A0027
	Satin Chrome	CL406A0125	CL406A0126	CL406A0127
	ORB	CL406A0225	CL406A0226	CL406A0227
	Satin Nickel	CL406A0325	CL406A0326	CL406A0327
	Matte Chrome	CL406A0525	CL406A0526	CL406A0527
Passage Blank/Blank (Mag latching)	Bright Chrome	CL406A0028	CL406A0029	CL406A0030
	Satin Chrome	CL406A0128	CL406A0129	CL406A0130
	ORB	CL406A0228	CL406A0229	CL406A0230
	Satin Nickel	CL406A0328	CL406A0329	CL406A0330
	Matte Chrome	CL406A0528	CL406A0529	CL406A0530
Privacy Snib/Snib	Bright Chrome	CL406B0025	CL406B0030	CL406B0035
	Satin Chrome	CL406B0125	CL406B0130	CL406B0135
	ORB	CL406B0225	CL406B0230	CL406B0235
	Satin Nickel	CL406B0325	CL406B0330	CL406B0335
	Matte Chrome	CL406B0525	CL406B0530	CL406B0535
Privacy Blank/Snib RH	Bright Chrome	CL406B0026	CL406B0031	CL406B0036
	Satin Chrome	CL406B0126	CL406B0131	CL406B0136
	ORB	CL406B0226	CL406B0231	CL406B0236
	Satin Nickel	CL406B0326	CL406B0331	CL406B0336
	Matte Chrome	CL406B0526	CL406B0531	CL406B0536
Privacy LH Snib/Blank	Bright Chrome	CL406B0027	CL406B0032	CL406B0037
	Satin Chrome	CL406B0127	CL406B0132	CL406B0137
	ORB	CL406B0227	CL406B0232	CL406B0237
	Satin Nickel	CL406B0327	CL406B0332	CL406B0337
	Matte Chrome	CL406B0527	CL406B0532	CL406B0537
Privacy LH Emerg/Snib RH	Bright Chrome	CL406B0028	CL406B0033	CL406B0038
	Satin Chrome	CL406B0128	CL406B0133	CL406B0138
	ORB	CL406B0228	CL406B0233	CL406B0238
	Satin Nickel	CL406B0328	CL406B0333	CL406B0338
	Matte Chrome	CL406B0528	CL406B0533	CL406B0538
Privacy LH Snib/Emerg RH	Bright Chrome	CL406B0029	CL406B0034	CL406B0039
	Satin Chrome	CL406B0129	CL406B0134	CL406B0139
	ORB	CL406B0229	CL406B0234	CL406B0239
	Satin Nickel	CL406B0329	CL406B0334	CL406B0339
	Matte Chrome	CL406B0529	CL406B0534	CL406B0539
Bi-Parting Passage (Non-latching)	Bright Chrome	CL406D0025	CL406D0026	CL406D0027
	Satin Chrome	CL406D0125	CL406D0126	CL406D0127
	ORB	CL406D0225	CL406D0226	CL406D0227
	Satin Nickel	CL406D0325	CL406D0326	CL406D0327
	Matte Chrome	CL406D0525	CL406D0526	CL406D0527
Bi-Parting Passage (Mag latching)	Bright Chrome	CL406D0028	CL406D0029	CL406D0030
	Satin Chrome	CL406D0128	CL406D0129	CL406D0130
	ORB	CL406D0228	CL406D0229	CL406D0230
	Satin Nickel	CL406D0328	CL406D0329	CL406D0330
	Matte Chrome	CL406D0528	CL406D0529	CL406D0530
Bi-Parting Privacy Snib/Snib	Bright Chrome	CL406D0035	CL406D0040	CL406D0045
	Satin Chrome	CL406D0135	CL406D0140	CL406D0145
	ORB	CL406D0235	CL406D0240	CL406D0245
	Satin Nickel	CL406D0335	CL406D0340	CL406D0345
	Matte Chrome	CL406D0535	CL406D0540	CL406D0545
Bi-Parting Privacy Blank/Snib	Bright Chrome	CL406D0036	CL406D0041	CL406D0046
	Satin Chrome	CL406D0136	CL406D0141	CL406D0146
	ORB	CL406D0236	CL406D0241	CL406D0246
	Satin Nickel	CL406D0336	CL406D0341	CL406D0346
	Matte Chrome	CL406D0536	CL406D0541	CL406D0546
Bi-Parting Privacy Emerg/Snib	Bright Chrome	CL406D0038	CL406D0043	CL406D0048
	Satin Chrome	CL406D0138	CL406D0143	CL406D0148
	ORB	CL406D0238	CL406D0243	CL406D0248
	Satin Nickel	CL406D0338	CL406D0343	CL406D0348
	Matte Chrome	CL406D0538	CL406D0543	CL406D0548

© All copyright and other property in this document is reserved by Cavity Sliders Limited. Details and specifications are subject to change without notice. Whilst all care is taken to ensure the accuracy of all information, no responsibility will be accepted for any errors or omissions. Drawings & pictures are not to scale. All dimensions in millimetres. Colours shown may not accurately represent product. Timber lock blocks shown do not depict actual doors. ® CAVILOCK and CL400 MAGNETIC are Registered Trademarks. NZ Patents 733386/628616. AU Patents: 2014298044/2017204461/2015268657. CAVILOCK® CL400® MAGNETIC (O.D., 2013). 60867 - 05.2018

**CS FOR DOORS NZ**  
 0800 754 337

[www.csfordoors.co.nz](http://www.csfordoors.co.nz)  
[info@csfordoors.co.nz](mailto:info@csfordoors.co.nz)

[www.cavitysliders.com.au](http://www.cavitysliders.com.au)  
[info@cavitysliders.com.au](mailto:info@cavitysliders.com.au)

**CS Cavity Sliders Pty Ltd**  
**Australia**  
 1300 975 433