

CL100 LaviLock™

The **CL100 LaviLock** is a disabled access lockset designed with ease of use and longevity of service in mind. The brass and stainless steel working components ensure reliability as well as resisting the outdoor environment they are often installed into.*

Easy to read “**Vacant / In Use**” lettering and ‘fail safe’ Exit Free functionality ensure the lock complies with disabled egress requirements when fitted to a 910mm wide cavity sliding door.

The LaviLock is supplied as a complete set including:



- ▮ Lever Handles
- ▮ Stainless Steel Indication Plates
- ▮ Slide Locking Buttons including Emergency Release
- ▮ CL100 Mortice Lock Case

IMPORTANT; To be Council compliant, the Lever/Lever option must be used for disabled toilets and the door needs to be a minimum of 910mm to allow minimum clear walk through of 760mm.

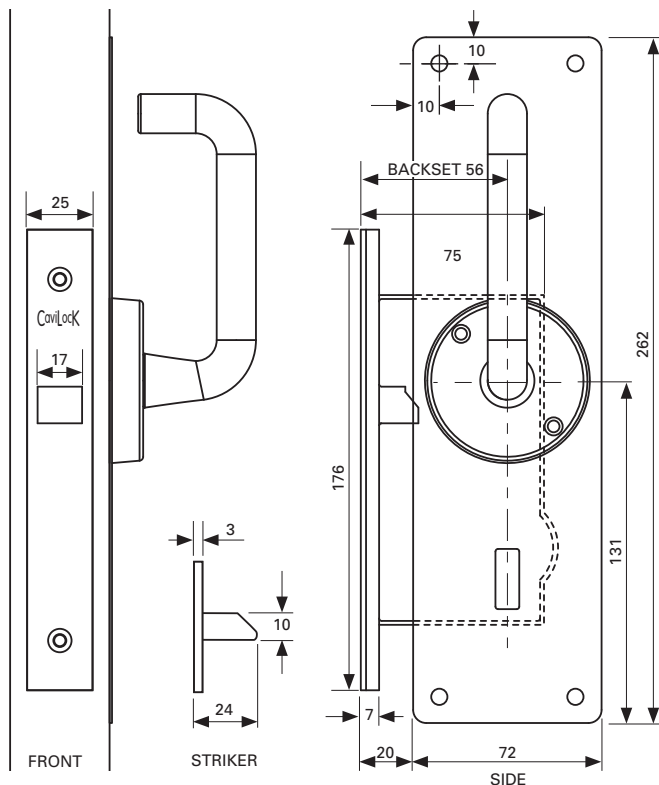
*If LaviLock is to be installed into areas where there is exposure to corrosive environments, e.g. high chlorine or salt concentration, contact CS for an appropriate solution.



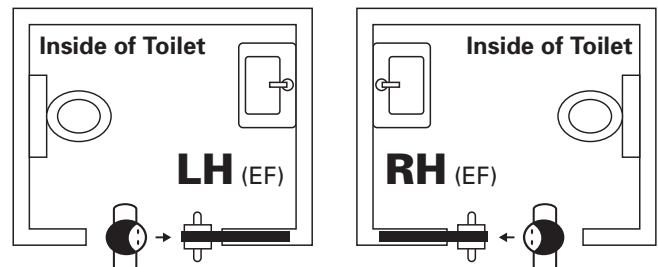
↑ ‘Vacant/In Use’ indicator plate on outside door face with Emergency Release.

↑ Easy to use ‘Unlock/Lock’ lever on inside door face.

Dimensions



Handing



When standing looking into the cavity pocket, if the locking snib is on your **left hand** side then the **LaviLock** is a Left Hand lock.

When standing looking into the cavity pocket, if the locking snib is on your **right hand** side then the **LaviLock** is a Right Hand lock.

EF = Exit Free - Even when in locked position the handle on the inside remains unlocked.

Finish Options

- ▮ Satin Chrome
 - CL100B3008 (RH)
 - CL100B3010 (LH)
- ▮ Polished Brass
 - CL100B3009 (RH)
 - CL100B3011 (LH)

For other configurations, including Exit Free options, please refer to the CL100 brochure (available from the CaviLock section on our website).

Drawings & pictures are not to scale. All dimensions in millimetres. © Cavity Sliders Limited.

info@csfordoors.co.nz
www.csfordoors.co.nz

Bay of Plenty / Waikato
 T 07 928 0800
 F 07 928 2525

Christchurch
 T 03 348 6158
 F 03 348 6150

Wellington
 T 04 473 9994
 F 04 473 9995

FOR DOORS
 The Cavity Slider Experts

Auckland Head Office
 T 09 276 0800
 F 09 276 2525

All copyright and other property in this document is reserved by Cavity Sliders Limited. Details and specifications are subject to change without notice. Whilst all care is taken to ensure the accuracy of all information, no responsibility will be accepted for any errors or omissions. © CAVILOCK is a Registered Trademark. © Cavity Sliders Limited. **CAVILOCK® LAVILOCK™** (O.D. 1995). 60242 - 08.2017