



KABA[®]

600 Series Mortice Lock Furniture

Designed for use with contemporary Australian manufactured mortice locks and latches

600 Series Mortice Lock Furniture

The Kaba 600 Series square end solid forged brass door furniture is designed for use with contemporary Australian manufactured mortice locks and latches.

Features

Stainless steel drive plate, an integrated precision ground 12mm bush that provides enhanced handle support plus a lever torsion spring to eliminate handle sag.

Fixing

Plates are 11.5mm thick and are designed to fit back to back with concealed fixing to outside plate. Tiebolt M5 fixing screws have a cross-recessed head.

Handing

Plates and knobs are non-handed with levers reversible on site in most cases.

Door Thickness

The Kaba 600 Series Plate door furniture suits door thickness from 32mm

minimum to 50mm maximum. Thicker doors require extended spindles, turn bars and longer tiebolt fixing screws.

Lever and Knob Design

A wide range of lever designs are available.

Standard Finishes

Satin Chrome Plate SCP

Other finishes available on application.



600 Plate with 25 Lever



600 Plate with 30 Lever



600 Plate without Lever

OPTIONAL LEVERS



05.



11.



49.



50.



34.



94.

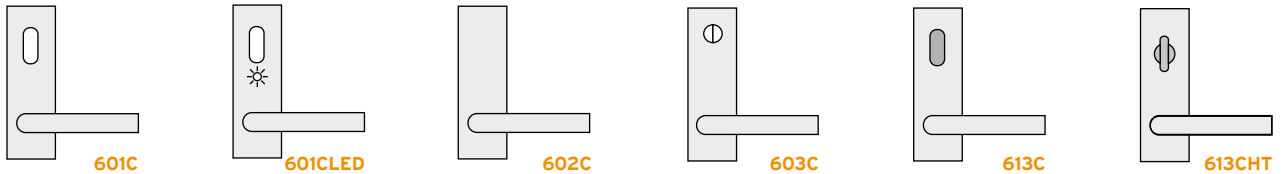
Kaba has a range of levers available on request to suit architectural design requirements.

600 Series

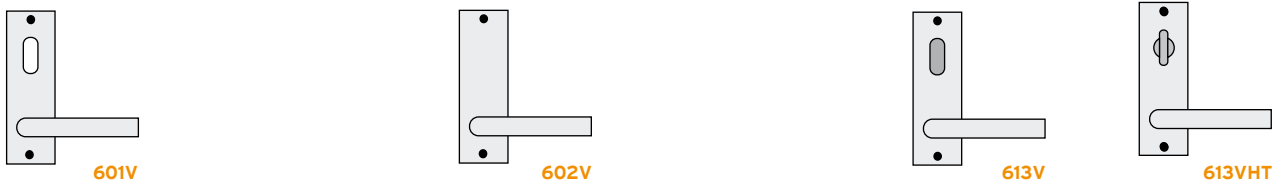
Mortice Lock Furniture - Functions

PLATES WITH HANDLES

Concealed



Visible



601 Function
Plate with cylinder hole and lever

601LED Function
Plate with cylinder hole, lever and LED indicator

602 Function
Plate without cylinder hole with lever

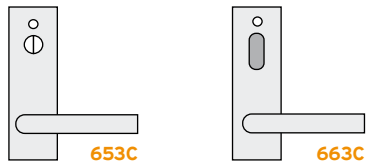
603 Function
Plate with emergency turn and lever

613 Function
Plate with turn and lever

613HT Function
Plate with hospital turn and lever

PLATES WITH HANDLES

Concealed



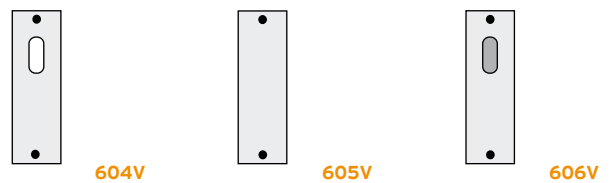
Visible

PLATES WITHOUT HANDLES

Concealed



Visible



653 Function
Plate with indicating emergency turn and lever

663 Function
Plate with indicating turn and lever

Note: HANDED

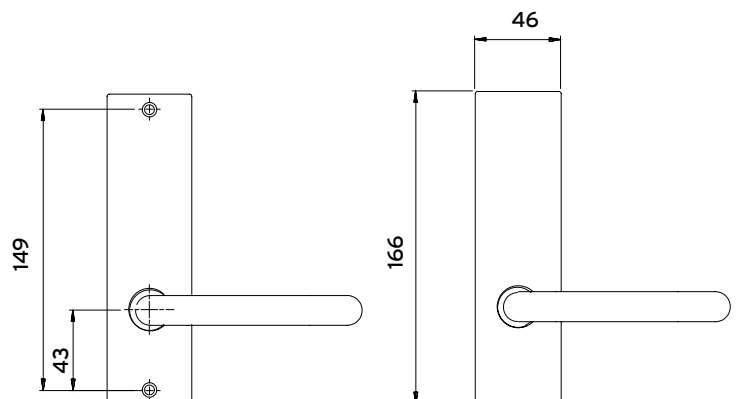
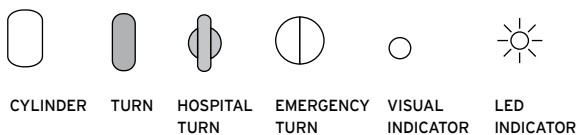
Note: HANDED

604 Function
Plate with cylinder hole

605 Function
Plain plate

606 Function
Plate with turn

CODE





Kaba Australia Pty Limited

HEAD OFFICE - NSW

Unit 4, 42-44 Redfern Street
Wetherill Park NSW 2164

QLD - 2/40 Proprietary Street
Tingalpa QLD 4173

SA - 55/55 Melbourne Street
North Adelaide SA 5006

WA - Unit 1, 10 Vulcan Road
Canning Vale WA 6155

Sales Tel: 1300 728 088
Sales Fax: 1300 728 708

www.kaba.com.au

NQLD - N.B. Agencies Pty Limited

56 Leigh Street, West End
Townsville QLD 4810

Tel: 07 4771 3400
Fax: 07 4771 4955

sales@nbagencies.com.au