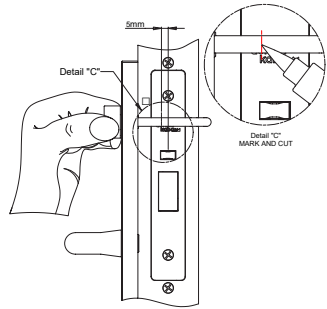


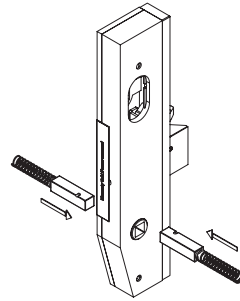
## Locks with turnknob



Locks with turn knob functions mark and cut connecting tail to correct length in accordance with illustrations shown. Length is also determined by door thickness and if tail needs to connect to a privacy function.

7

## Locks for door levers with spindles



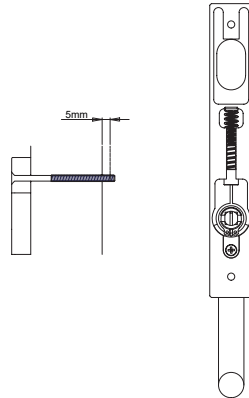
Install spindles into lock hubs as illustrated ensuring the spindle spring locates into the door furniture lever.

**Note:** not all lock functions require this step.

## Install door furniture

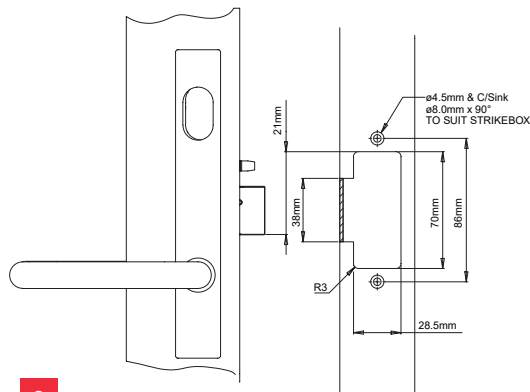
Install door furniture in accordance with the installation instructions provided with selected door furniture ensuring compatibility with the dormakaba SB2212 series mortice lock.

Rotate handle to the desired handing of door. Cut the furniture screws 5mm past the door face and position furniture plates and secure with mounting screws.



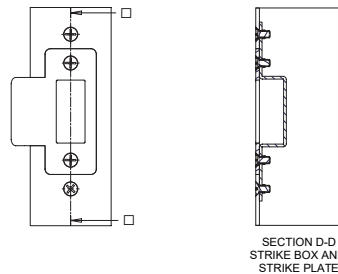
8

## Install strike box and strike plate



Mark out the door frame for strike locating centre of latchbolt with centre of strike plate recess.

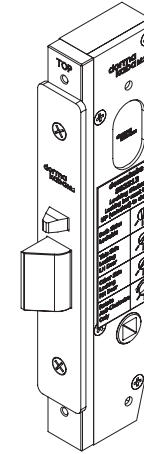
Cut out for strike box with measurements illustrated and fit strike and box with screws provided.












9

dormakaba

## SB2300 Series Narrow Stile Mortice Lock Installation Instructions



T: 1800 675 411  
www.dormakaba.com.au

Cylinder		Turn	
	CAM KH Function - hold back latchbolt		CAM KW Function - turn adaptor activation Used with adaptor SA-KZ
	CAM KX Function - retract latchbolt		CAM KXA Function - lock/unlock retract latch Used with adaptor SA-KJL or SA-KJR
	CAM KZ Function - lock/unlock locking bar		
	Adaptor SA-KJL Function - locking turn adaptor		Adaptor SA-KJR Function - locking turn adaptor
	Adaptor SA-KX Function - retract latchbolt		Adaptor SA-KZ Function - locking turn adaptor

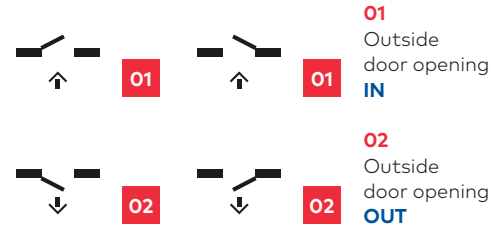
## Handing of door

RH

right hand door

LH

left hand door



**Important:** Before drilling door, ensure correct hand is being installed.

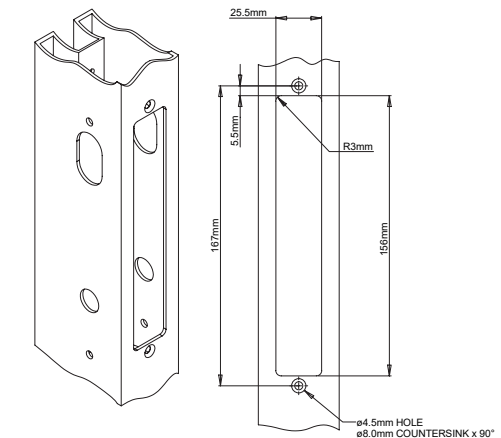
**Note:** Case does not need to be opened at any time to change function or handing of this lock.

## Metal door preparation for mortice lock body

Determine the height of the lockset on the door ensuring the centre line of handles will be at the height required off the finished floor level.

Cut out the mortice window for the main lock body, 156mm x 25.5mm with a 3mm radius.

To hold lock body into door drill 2 x 4.5mm holes then countersink with 8mm diameter at 90° in accordance with measurements in image.



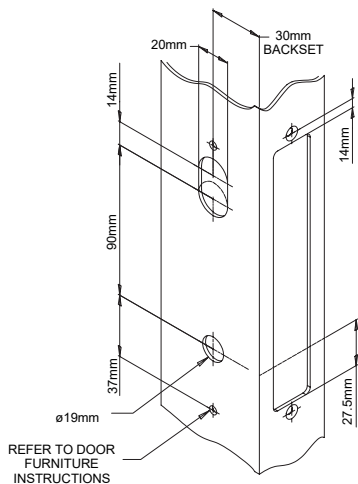
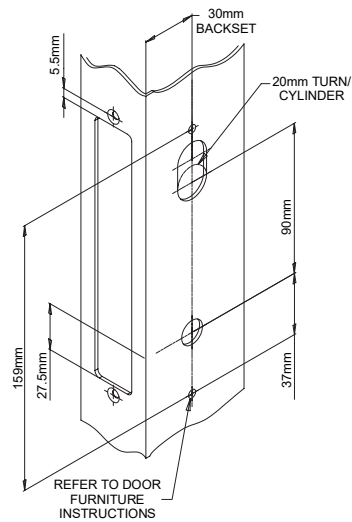
1

## Metal door preparation for 30mm backset mortice lock function

Ensure the lock is not in the mortice and mark out other necessary holes for drilling to suit the lock function you require. Dimensions in the illustration are for all lock functions and suit a 30mm backset lock.

Do not drill holes all the way through to avoid door damage and incorrect installation.

**Note:** Also check the door furniture supplied to ensure correct holes are being drilled.



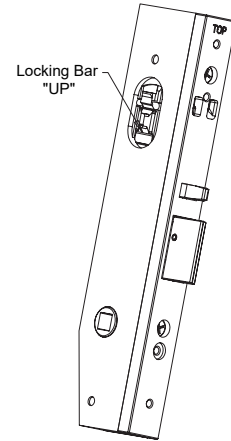
2

## Lock preparation

### Check The Lock Status

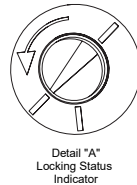
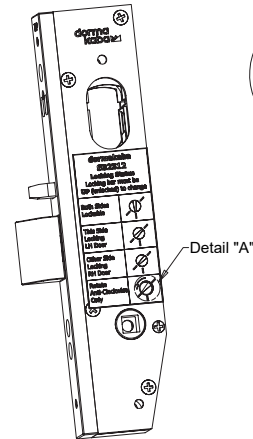
Ensure that the locking bar is in unlocked position (UP).

If position needs to be changed to the unlock position, use a small flat blade screwdriver to lever out plastic cylinder hole dust cap (where fitted) and lift locking bar using screwdriver.



### Lock Functions

Depending on the locking function required it can be set to any vestibule or combination lock status. To change the locking function, it is necessary to use a small flat blade (max. 4mm) screw driver to rotate (Anti-Clockwise Only) the locking wedge to desired location. Refer to Lock Status Label on lock body for further detail.



Detail "A"  
Locking Status Indicator

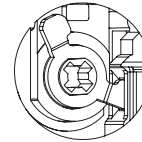
dormakaba SB2512 Locking Status Locking bar must be UP (unlocked) to change	
Both Sides Lockable	
This Side Locking LH Door	
Other Side Locking RH Door	
Rotate Anti-Clockwise Only	

3

## Turn adaptor installation

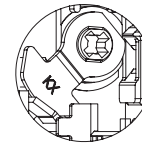
Dormakaba turn adaptors are captive adaptors and must be installed correctly for proper lock operation.

Using a small flat screwdriver, lever out black nylon cylinder hole plug, where fitted to allow installation of the turn adaptor.



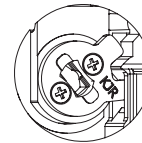
### SA-KZ TURN ADAPTOR INSTALLATION

- Put lock into Locked Status by moving locking bar to down position.
- Insert Adaptor as per illustration (A) ensuring the cam plate is engaged in with the locking bar.
- Insert retaining pin and test operation ensuring the locking bar is operating up and down with operation of cam. Maximum ¼ turn Left or right).
- Lock can now be left in unlocked status, locking bar up until fully installed into the door.



### SA-KX TURN ADAPTOR INSTALLATION

- Insert Adaptor as per illustration (B) ensuring the cam plate points towards latch bolt.
- Insert retaining pin and test operation ensuring the latch bolt can be retracted by turn.

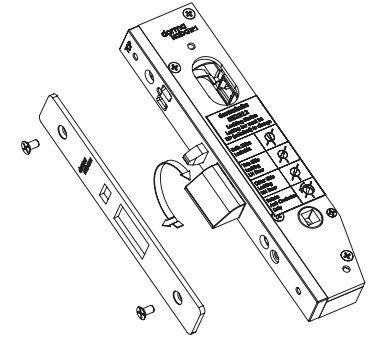


### SA-KJR & SA-KJL TURN ADAPTOR INSTALLATION

- Ensure the correct handed adaptor is used using the guide in these instructions.
- Put lock into Unlocked Status by moving locking bar to up position.
- Insert Adaptor as per illustration (C) ensuring the cam plate is engaged in the locking bar.
- Insert retaining pin and test operation ensuring the locking bar is operating up and down with operation of cam. Maximum ¼ turn Left or Right).
- Lock can now be left in Un-Locked status, locking bar up until fully installed into the door.

4

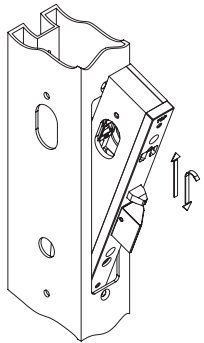
Determine the hand of lock from the hand of door chart. Rotate latch bolt head if required ensuring face plate is not installed pull and rotate the bolt 180° to suit the Latching direction.



## Lock installation

### Fit Lock

Insert lock into door and secure with 2 screws.

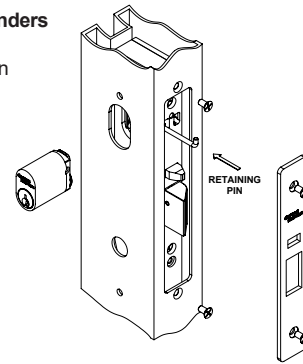


### Locks with cylinders

- Using a small flat screwdriver, lever out black nylon cylinder hole plug, where fitted. Insert lock into door and secure with 2 screws.
- Secure cylinder with retaining pin, ensuring pin is flush with front face of lock.
- Install face plate and secure with 2 screws.

### Locks without Cylinders

Leave black nylon cylinder hole plugs in the mortice lock. Install face plate and secure with 2 screws.



6