

# Elevation Window Control System

**INTERLOCK™**  
**ASSA ABLOY**

ASSA ABLOY, the global leader  
in door opening solutions.



Interlock's Elevation Window Control System offers the perfect combination of convenience, flexibility and safety with the ability to control up to 30 windows through a simple touch screen.

Through the use of zones, the Elevation can be configured to reflect the unique layout of any home or commercial building, making it the ideal system for hard to reach windows. The Elevation makes opening or closing all windows, or windows within a specified area, effortless.

With a built in chain release feature, installing the Elevation actuator is easy and can be completed without being connected to power.

## Features

- Intuitive touch screen keypad controls up to 30 windows with pre-set options 'closed', 'vent', 'half' and 'full'
- Actuators operate simultaneously (with 24VDC motor) and can be grouped into zones
- Synchronise two actuators to cater for wide windows
- 9kg closing force per actuator ensuring a tight window seal when closed
- Strong, corrosion resistant stainless steel chain (grade 302)
- Chain length is adjustable in 10mm increments to limit window opening
- Release key allows chain to move freely for ease of installation
- Programme in a pin code to restrict access to keypad
- Suitable for awning or casement windows
- Can be fixed to timber or aluminium
- Elevation actuator made in New Zealand

## Options

- Touch screen or wall switch control option
- Actuators are available in a range of colours to complement any window design and/or finish
- Add 1 or 2 keypads per Elevation system
- Rain sensor option (add up to 4). Rain sensors can be allocated to a specific zone and be configured to either vent or close upon rain detection, as well as re-open when dry



# Elevation

## Window Control System

**INTERLOCK™**

**ASSA ABLOY**



Touch Screen Keypad  
EWAC-STP



Actuator  
EWAC-300B  
EWAC-300P  
EWAC-300SPEC



Rain Sensor  
EWAC-SRS



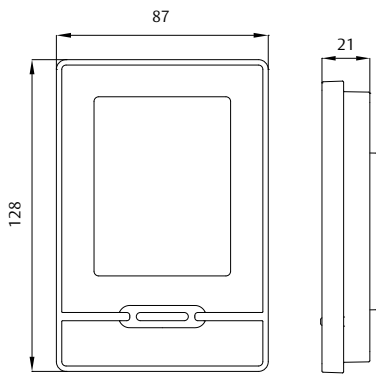
Power Supply  
EWAC-SPS



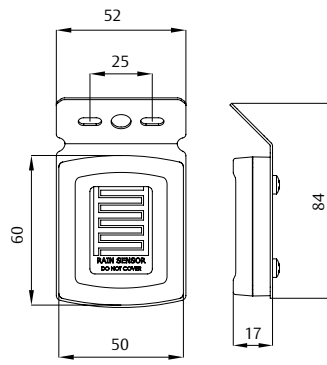
Sync Loom  
EWAC-SSL



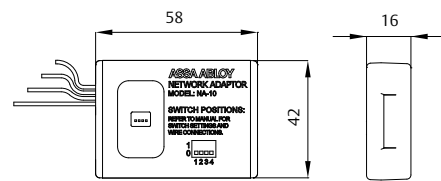
Network Adaptor  
EWAC-SNA



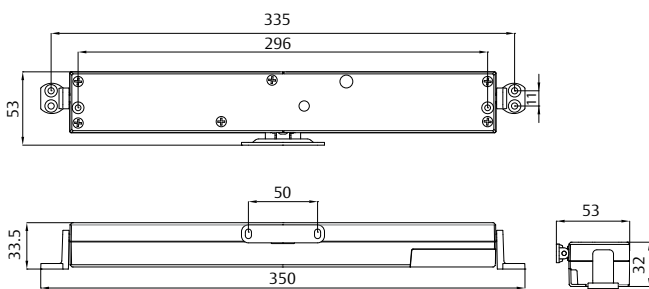
Touch Screen



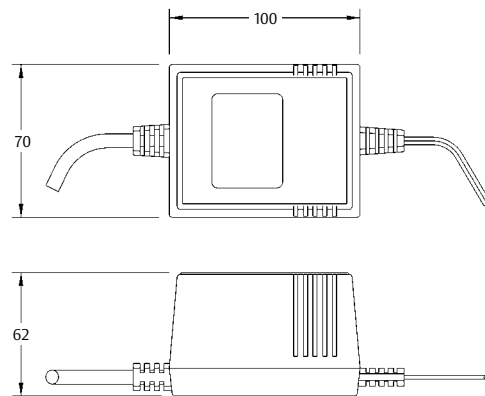
Rain Sensor



Network Adaptor



Actuator



Power Supply

RES-FLY-090\_08 13/NZ