



Catches

General hardware



Simple and effective, Legge double ball catches and roller catches provide an easy way to hold doors closed where standard latching hardware is not required. Double ball catches are typically used on cupboard and wardrobe type doors and roller catches on front entry or corridor type doors that may require a more positive action.

Features

- Supplied with fixing screws
- Suitable for timber and metal doors
- Ball catches are made from solid brass construction
- 15201 roller catch utilises durable nylon roller, ensuring quiet operation
- 15211 heavy duty roller catch is made entirely from 304 grade satin stainless steel. It is also fire rated for 2 hours and can be easily adjusted for different door clearances via the front mounting plate
- The 10 year warranty provides specifiers and users with assured quality and performance

Specification guide

Model	Size	Finish
Roller catch..... DAX15201	N/A	Chrome plate..... CP
Roller catch..... DAX15211	N/A	Polished brass..... PB
Ball catch..... DAX15251	50mm.....-02	Satin chrome plate..... SCP
	70mm.....-04	Satin stainless steel..... SSS
		Brass..... BR

1. Model

Select the desired model e.g. Ball catch DAX15251

2. Size

Select the desired size e.g. 50mm DAX15251-02

3. Finish

Select the desired finish e.g. Brass DAX15251-02BR

Specifications

Door type	Timber or metal
Material	See individual products on the next page
Finishes	15201 - Chrome plate, polished brass, satin chrome plate 15211 - Satin stainless steel 15251 - Brass

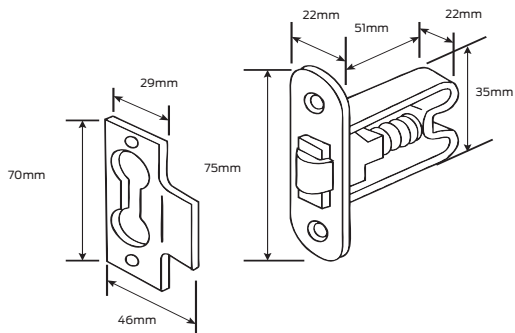
Accreditations



Fire Rated: DAX15211 is fire rated for 2 hours in accordance with Australian Standards AS/NZS 1905.1-2005, for use on fire resistant doorsets **as a secondary latching device only**, refer to fire door manufacturers for specific approval details

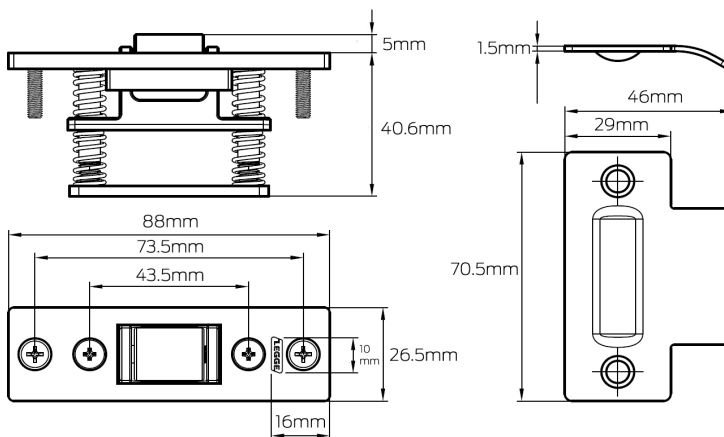
15201 Kevdon Roller Catch

Supplied with screws. Stainless steel body, stainless steel or brass faceplate and strike, nylon roller
Finishes: polished brass, polished stainless steel, satin stainless steel



15211 Heavy Duty Roller Catch

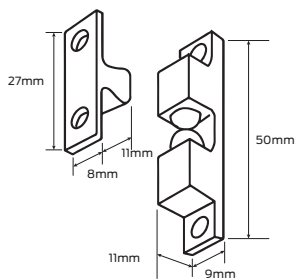
Supplied with screws and face plates. 304 stainless steel components
Finish: Satin stainless steel



15251 Double Ball Catch

Supplied with screws. Brass body and catch, stainless steel ball bearings
Finish: Brass

15251-02



15251-04

