

ASSA ABLOY is the global leader in door opening solutions, dedicated to satisfying end-user needs for security, safety and convenience.



## Please Note:

This document is provided as a dimensional reference and should not be printed as a drilling template unless it can be correctly scaled to 100% by your printer.

Instructions are printed to scale if cylinder hole measures 32mm.

ASSA ABLOY Australia Pty Limited  
235 Huntingdale Road,  
Oakleigh Victoria, 3166  
Australia

[info.au@assaabloy.com](mailto:info.au@assaabloy.com)  
[assaabloy.com.au](http://assaabloy.com.au)

ASSA ABLOY New Zealand Ltd.  
6 Armstrong Road  
Albany, North Shore City, 0632  
New Zealand

[info.nz@assaabloy.com](mailto:info.nz@assaabloy.com)  
[assaabloy.co.nz](http://assaabloy.co.nz)

FOR OUTWARD OPENING DOORS WITH TIMBER JAMB

**FOLLOW INSTRUCTIONS CAREFULLY**

**LOCK MOUNTING POSITION**

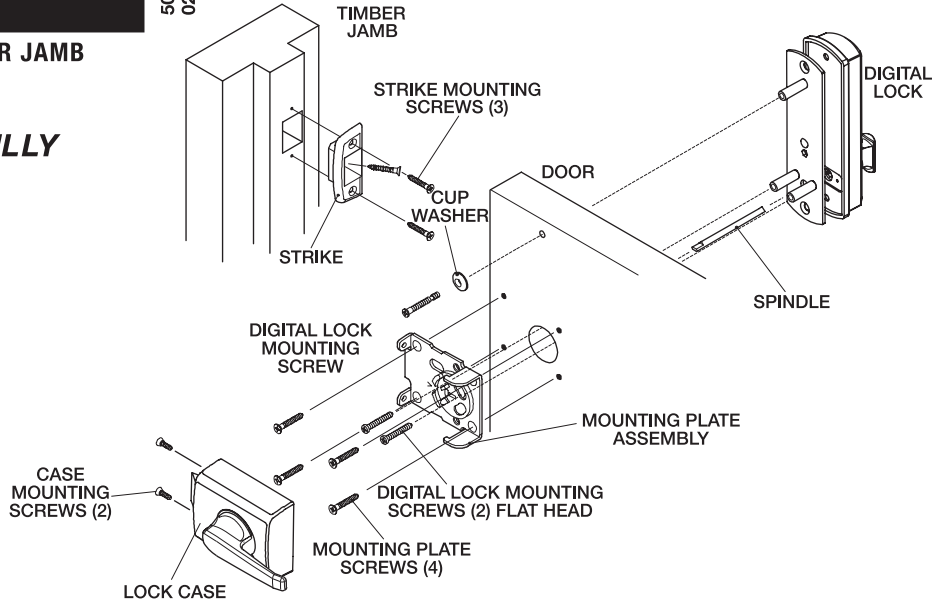
This product is more convenient to operate at approximately chest level, but door construction may restrict the mounting position.

**SOLID DOORS :** Permit mounting at any height.

**HOLLOW CORE DOORS :** Mounting may be restricted by the size and position of the timber block within the door for lock mounting.

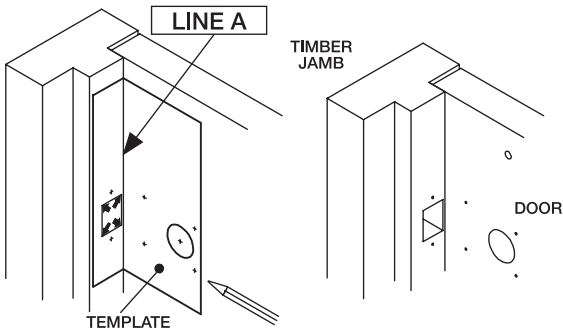
**DOOR THICKNESS**  
30mm to 45mm

**OPTIONAL**  
3mm Packer plate 001-3254BLK



**1. PRERARE DOOR**

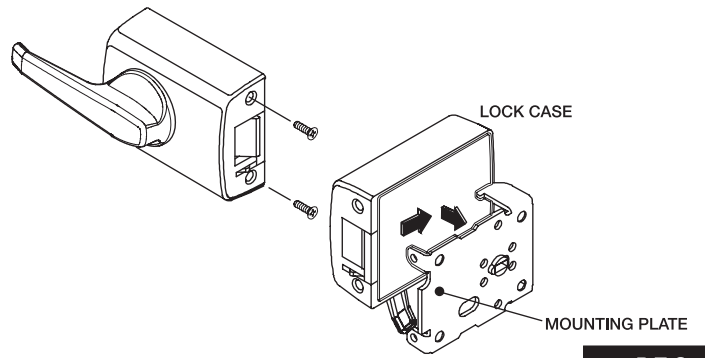
1. Select CLOCKWISE or ANTI-CLOCKWISE side of template to suit door opening direction.
2. Position template and prepare door as specified on template.  
**WARNING:** Care must be taken when drilling/morticing and affixing screws to jambs. Screws must NOT come in contact with electrical wires in jamb.



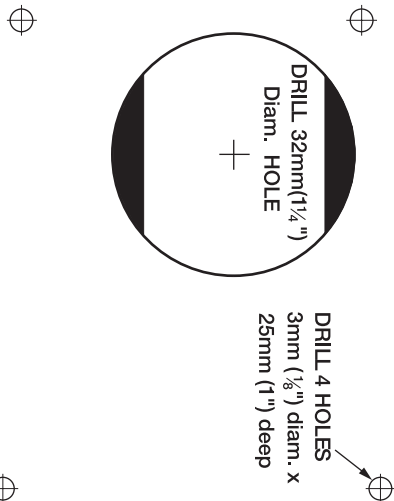
DRILL CYLINDER HOLE FROM BOTH SIDES OF THE DOOR TO PREVENT SPLINTERING OF DOOR FACE.

**2. PREPARE LOCK**

1. Rotate lever fully clockwise to HOLD BACK position.
2. Remove two case mounting screws from lock case.
3. Take mounting plate out of lock case.



P.T.O.

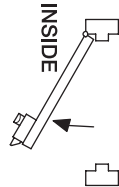


DRILL HOLE FROM BOTH SIDES OF DOOR TO PREVENT SPLINTERING OF DOOR FACE

TEAR OFF

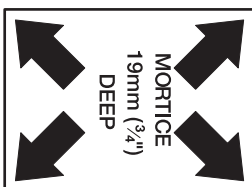
**Template for clockwise opening doors**

Use other side of template for anti-clockwise opening doors



1. Select CLOCKWISE or ANTI-CLOCKWISE template to suit door opening direction.
2. Place template on inside door face at required height from floor with LINE A positioned on door edge.
3. Mark and drill holes as specified on template.

LINE A

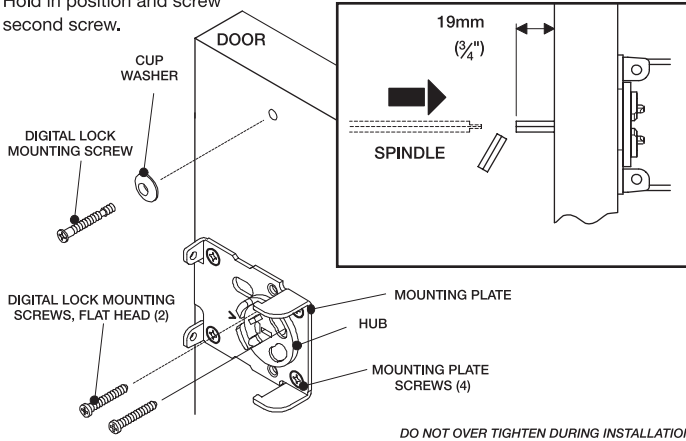


DRILL 2 HOLES  
3mm (1/8") Dia  
X 15mm (5/8") Deep

THIS WAY UP

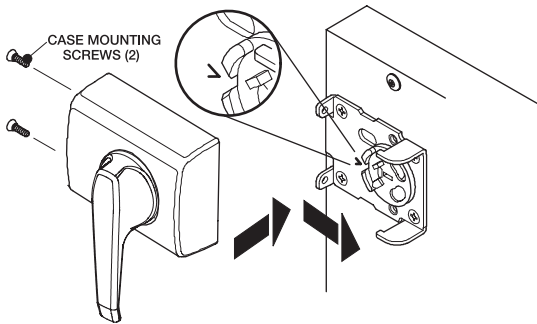
### 3. INSTALL CYLINDER AND MOUNTING PLATE

1. Fix MOUNTING PLATE to door with four woodscrews supplied.
2. Align Notch on HUB with vee on mounting plate.
3. Insert and locate blade end of spindle into hub from outside of door. Mark and cut spindle to length. (19 mm (3/4") from Door Face).
4. Insert spindle into digital lock drive gear with blade end facing out.
5. Realign notch on hub with vee on mounting plate. Secure digital lock with mounting screw through cup washer and into top hole. Cut screw if required. Ensure blade end of spindle engages in hub.
6. Place rear digital lock mounting screw through slot in hub and secure digital lock to door.
7. Rotate HUB 90 degrees by entering code of Digital Lock and turning knob. Hold in position and screw second screw.



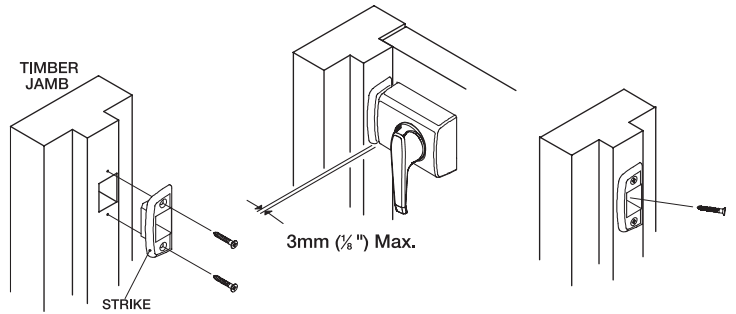
### 4. INSTALL CASE

1. Rotate lever fully clockwise to HOLD BACK position.
2. Ensure notch on hub is aligned with vee on mounting plate. Fit case body to mounting plate as shown.
3. Secure the case to the mounting plate using two case mounting screws.



### 5. INSTALL STRIKE

1. Locate strike in mortice on door jamb with thin side facing towards door.
  2. Secure the two woodscrews on strike face.
  3. Drill 3 mm (1/8") dia X 25 mm (1") deep through hole located in base of strike cavity.
  4. Secure the third woodscrew as show below.
- NOTE: 3 mm (1/8") maximum gap between lock and installed strike.



### LOCKWOOD GUARANTEE

ASSA ABLOY Australia Pty Limited ("ASSA ABLOY") guarantees its Lockwood products against defects in workmanship and materials. If within the normal working life of a product it is found to be defective, ASSA ABLOY will supply the same or equivalent product free of charge. All electrical and electronic components used in ASSA ABLOY's range of products excluding batteries are guaranteed for a period of 12 months from the date of proof of purchase, unless stated otherwise.

ASSA ABLOY assumes no liability under the guarantee for the following:

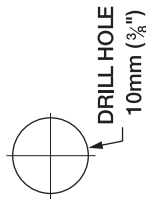
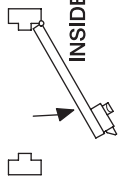
1. Improper installation or failure to follow fitting instructions.
2. Failure due to improper maintenance.
3. Failure due to fair wear and tear.
4. Indirect or consequential loss or damage.
5. Cost of removal and/or replacement.
6. Cost of freight and/or travelling time.
7. The plated finishes Florentine Bronze, Architectural Bronze, Polished Brass, Gold and Satin Brass, "which" are classified as soft finishes. As deterioration is possible under some environmental conditions, these finishes are excluded from this guarantee.
8. Any modification or repairs to a product, as supplied, unless authorised by ASSA ABLOY Australia Pty Limited.
9. Use of replacement parts other than authorised parts.
10. Malfunction or failure of the product due to the use of non-genuine Lockwood parts.
11. Malfunction or failure of the product due to the use of non-specified batteries.

Nothing in the ASSA ABLOY Australia Pty Limited guarantee excludes, restricts or modifies any condition, warranty, right or liability implied or protected by law where to do so would render the Guarantee, or any part of it, void.

P.T.O

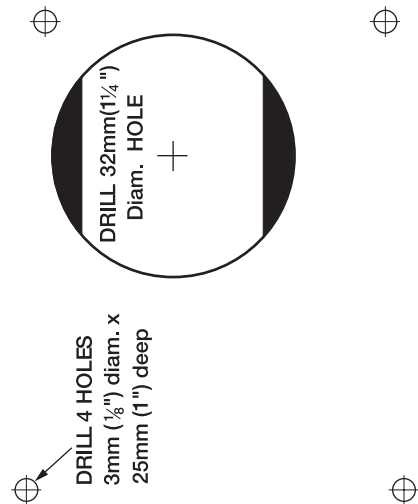
## Template for anti-clockwise opening doors

Use other side of template for clockwise opening doors



1. Select CLOCKWISE or ANTI-CLOCKWISE template to suit door opening direction.
2. Place template on inside door face at required height from floor with LINE A positioned on door edge.
3. Mark and drill holes as specified on template.

DRILL HOLE FROM BOTH SIDES OF DOOR TO PREVENT SPLINTERING OF DOOR FACE



LINE A

THIS WAY UP

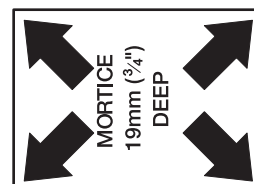
## ASSA ABLOY

ASSA ABLOY Australia Pty Limited  
50 Edward Street, Oakleigh VIC 3166  
©Registered Trade Mark of ASSA ABLOY Australia Pty Limited  
ABN 90 086 451 907 ©2005

An ASSA ABLOY Group brand



ASSA ABLOY



DRILL 2 HOLES  
3mm (1/8 inch) Dia  
X 15mm (5/8 inch) Deep