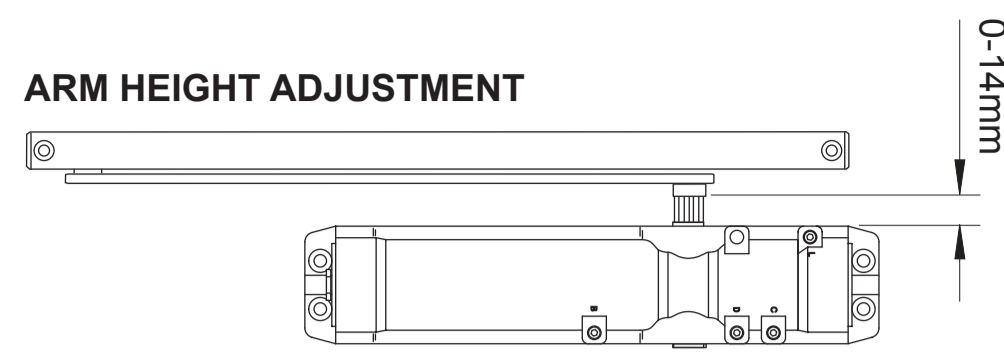
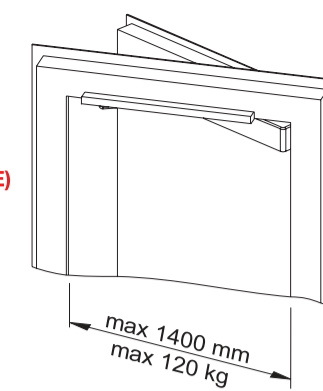


Power Size	Max. Door Width	Max. Door Weight	Max. Door Opening	Min. Closing Torque	Number Turns
EN1	750mm	20kg	175°	9Nm	1
EN2	850mm	40kg	175°	13Nm	2
EN3	950mm	60kg	175°	18Nm	4*
EN4	1100mm	80kg	175°	26Nm	6
EN5	1250mm	100kg	175°	37Nm	9
EN6	1400mm	120kg	175°	54Nm	13

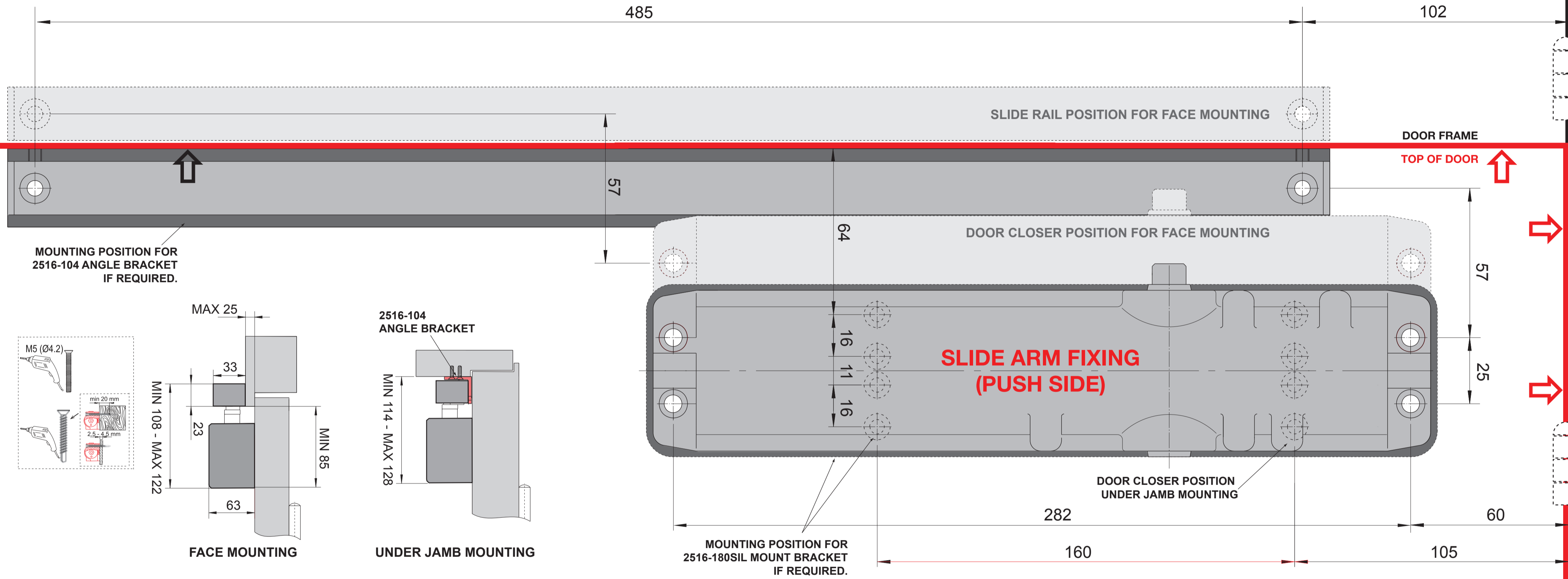
\* - Factory default setting



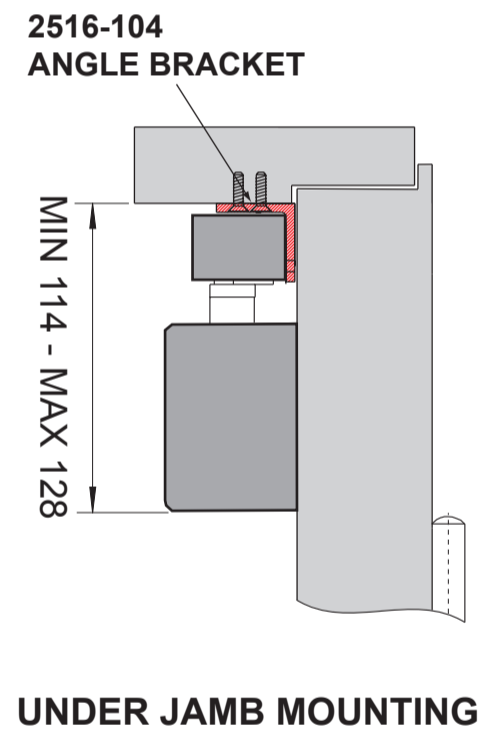
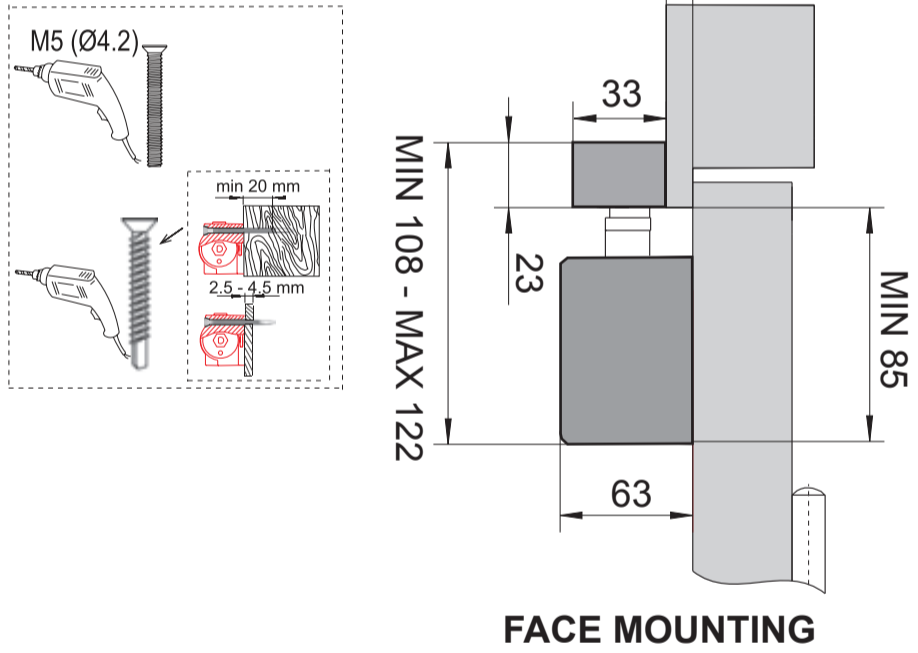
SLIDE ARM FIXING  
(RIGHT HAND DOOR PUSH SIDE)



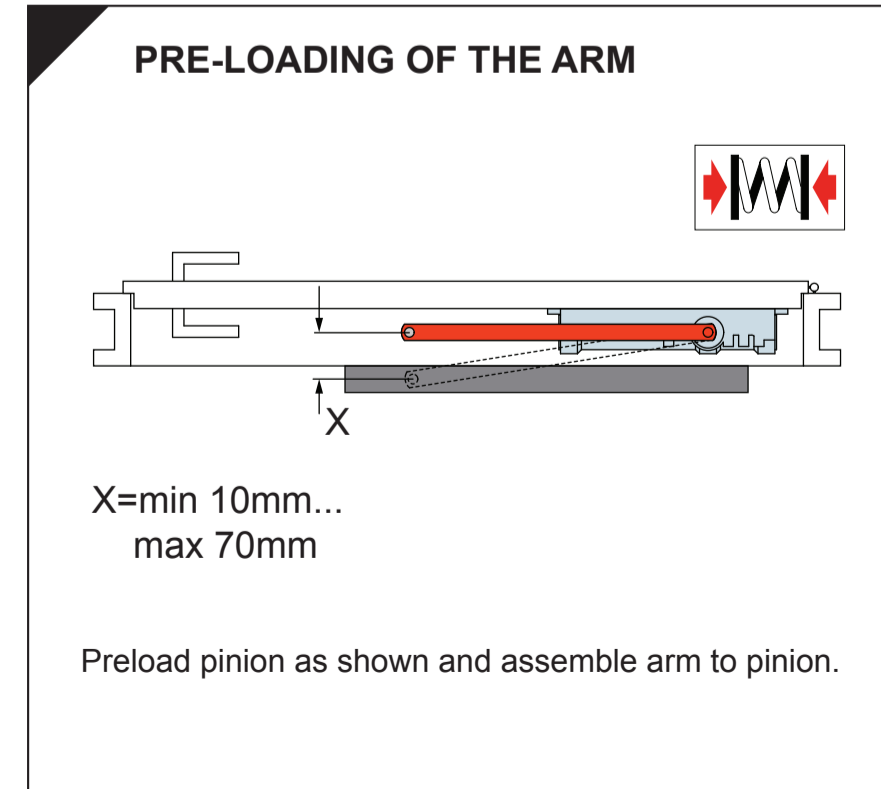
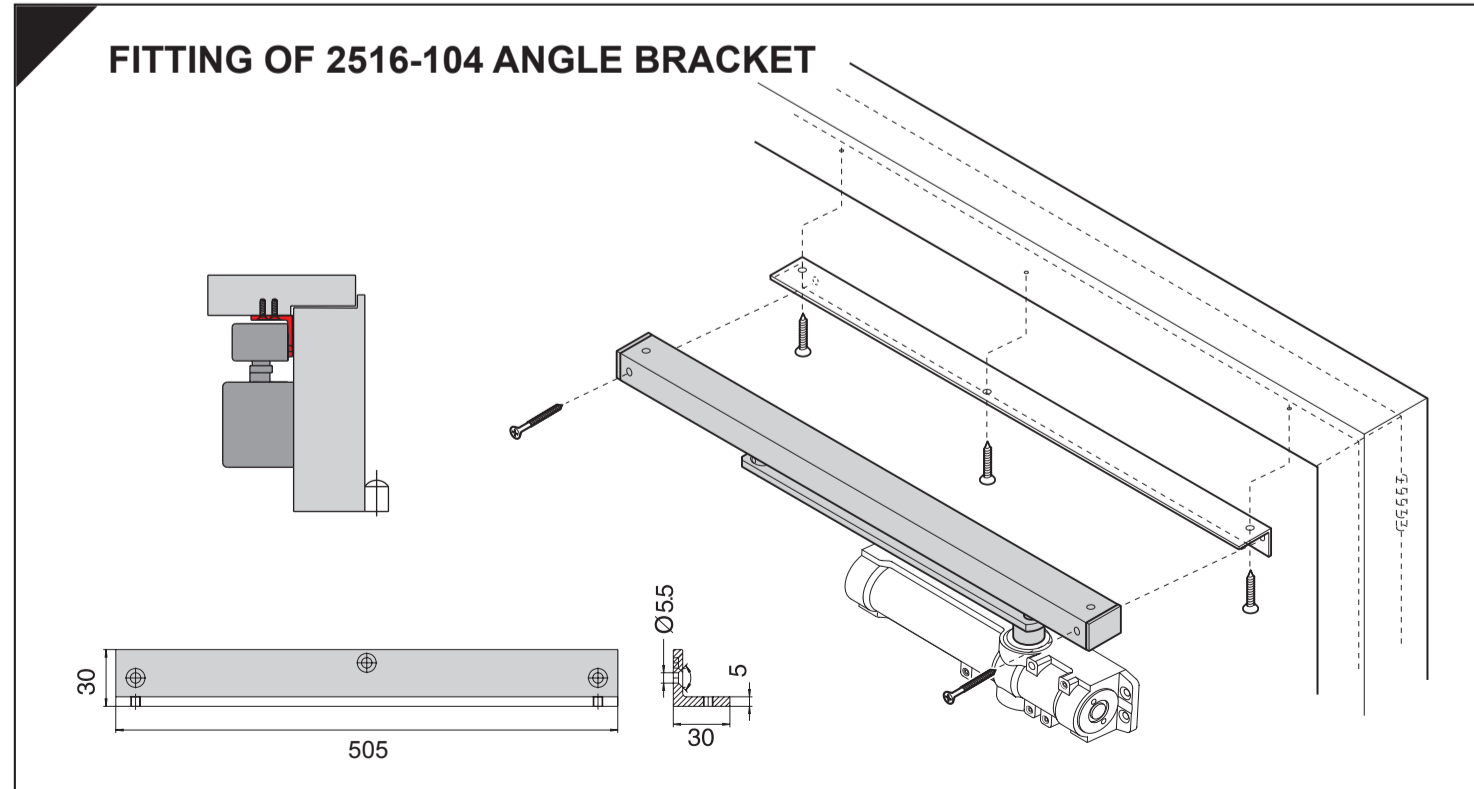
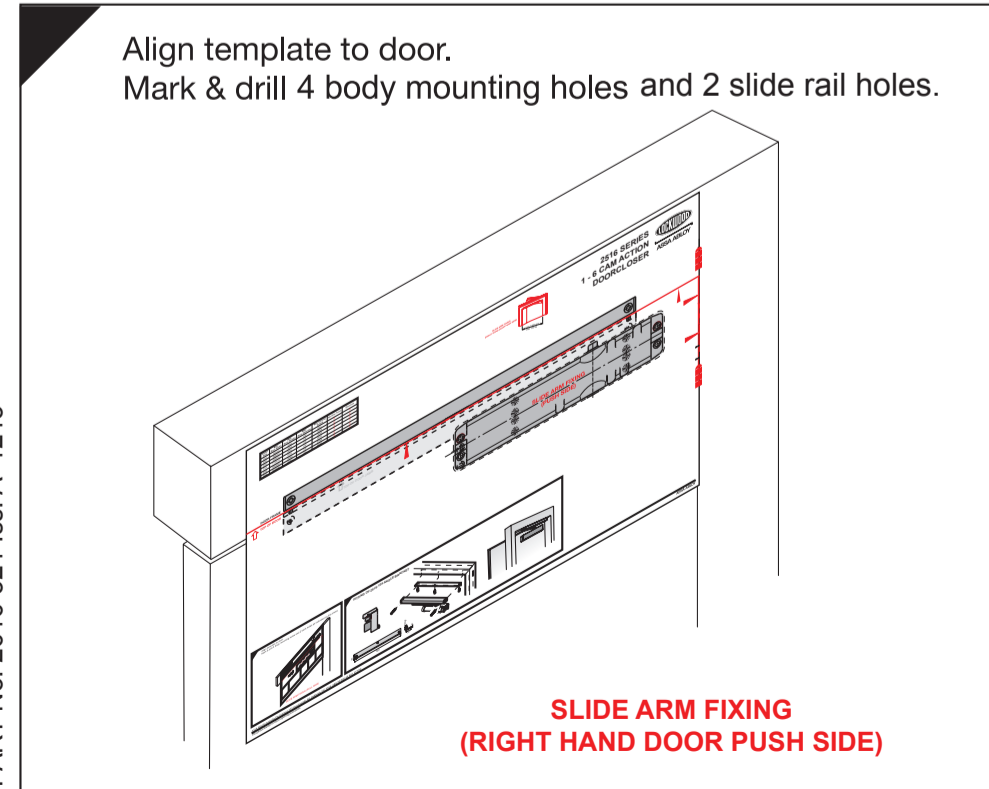
# 2616 SERIES SIZE 1 - 6 CAM ACTION DOORCLOSER



MOUNTING POSITION FOR  
2516-104 ANGLE BRACKET  
IF REQUIRED.



USE THIS TEMPLATE IN CONJUNCTION WITH THE 2616 INSTALLATION INSTRUCTION (SUPPLIED)



PART No. 2616-321 Iss. A 1213