

# 781/791 Series Panic Bolts



The Lockwood 781/791 Panic (Skeleton) Bolts are designed and packaged specifically for the commercial and residential door market. Each pack contains items necessary for timber door fixing.

Single action bolt with providing positive location into keeper at the top or bottom of the door. When fixed to the door the bolt is supported by a high grade stainless steel spring which holds the bolt in the extended position.

### Application

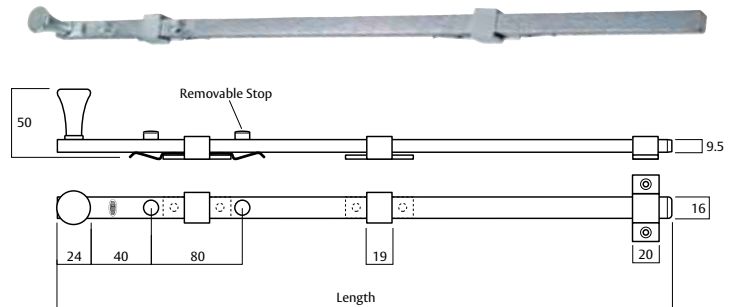
Available with both visible and concealed fixing suitable for timber, metal doors and gates in commercial, industrial, institutional and residential buildings, where there is a need for high grade, durable fittings.

Product Details	
<b>Bolt Throw</b>	The distance the bolt moves from the fully retracted position to the fully locked position. Standard throw is 50 mm.
<b>Bolt Material</b>	Highest grade brass material.
<b>Finish</b>	Satin Chrome Plate (SC)
<b>Fixing</b>	Available in both visible and concealed fixing with 4 or 6 point fixing depending on length. Concealed fixing is ideal for an installation where a more aesthetic appearance is required. Fixing screws are supplied with all panic bolts along with a floor plate and top guide.
<b>Styles</b>	Concealed Fix Visible Fix Visible Fix Offset
<b>Lengths</b>	<ul style="list-style-type: none"> <li>• 230mm</li> <li>• 300mm</li> <li>• 450mm</li> <li>• 600mm</li> <li>• 1000mm</li> </ul>
<b>Offset Bolt</b>	Available in the following lengths: 450 mm and 600 mm (visible fix only)

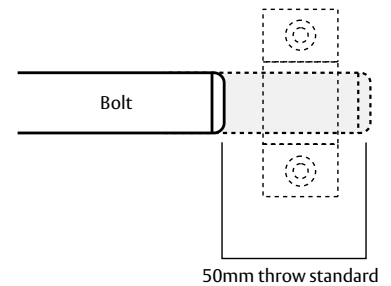
# 781/791 Series Panic Bolts

## 781 Concealed Fix Panic Bolt

Length	Finish	Packaging	Part Number
230mm	Satin Chrome	Trade	781X230SC
300mm	Satin Chrome	Trade	781X300SC
450mm	Satin Chrome	Trade	781X450SC
600mm	Satin Chrome	Trade	781X600SC
1000mm	Satin Chrome	Trade	781X1000SC

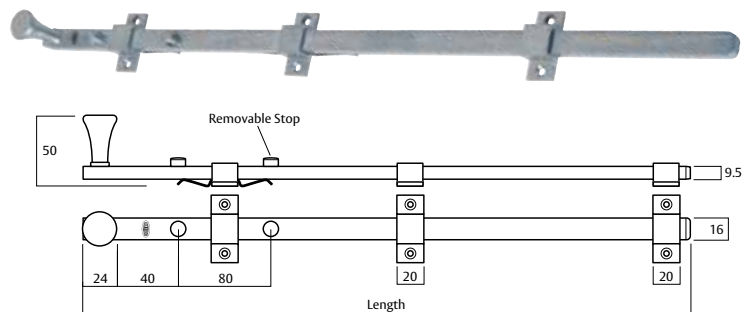


Retracted position Fully extended position

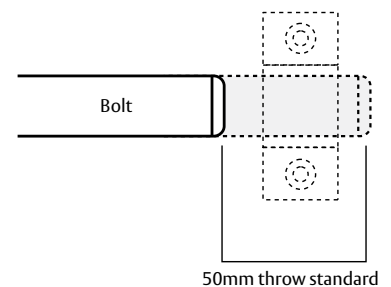


## 791 Visible Fix Panic Bolt

Length	Finish	Packaging	Part Number
230mm	Satin Chrome	Trade	791X230SC
300mm	Satin Chrome	Trade	791X300SC
450mm	Satin Chrome	Trade	791X450SC
600mm	Satin Chrome	Trade	791X600SC
1000mm	Satin Chrome	Trade	791X1000SC



Retracted position Fully extended position



# 781/791 Series Panic Bolts

## 791 Visible Fix Offset Panic Bolt

Length	Finish	Packaging	Part Number
450mm	Satin Chrome	Trade	791O/SX450SC
600mm	Satin Chrome	Trade	791O/SX600SC

