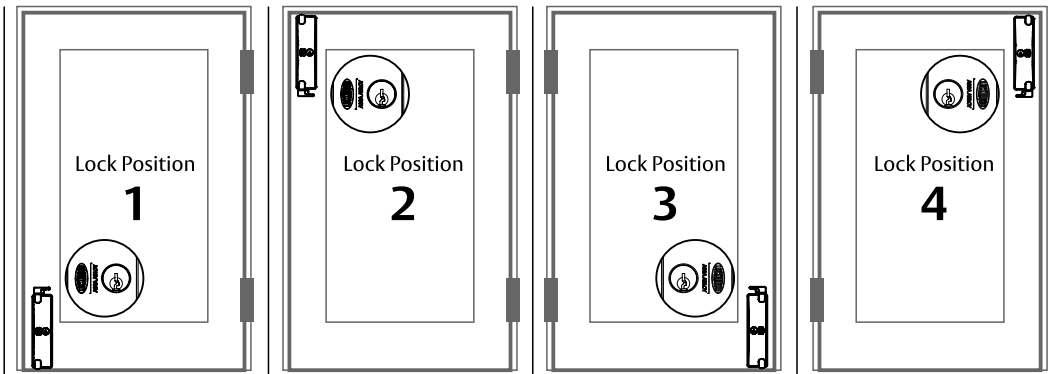


## Lock Position



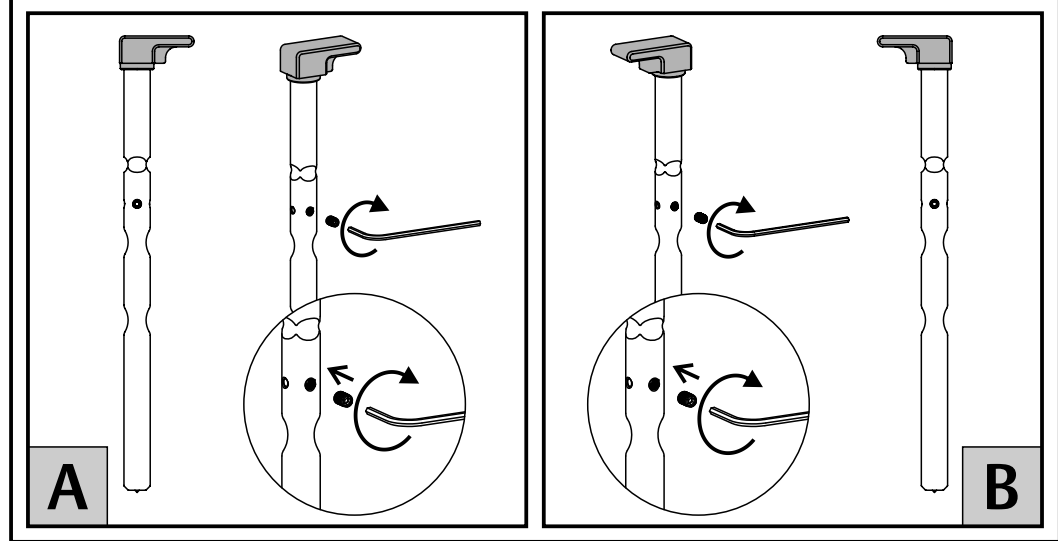
Bolt Stop	<b>A</b>	<b>B</b>	<b>B</b>	<b>A</b>
	<b>C</b>	<b>C</b>	<b>D</b>	<b>D</b>
	<b>F</b>	<b>F</b>	<b>E</b>	<b>E</b>



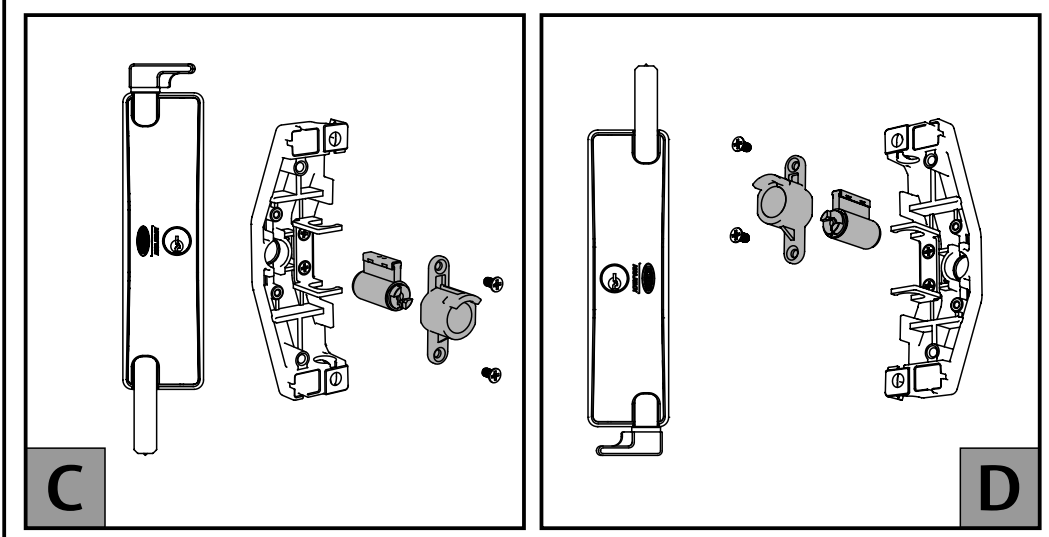
## 980 Series COMMERCIAL LOCKABLE BOLT

Establish Bolt location on the door  
 Configure the Bolt assembly as per the chart.  
 Assemble to door in desired method, see overleaf.

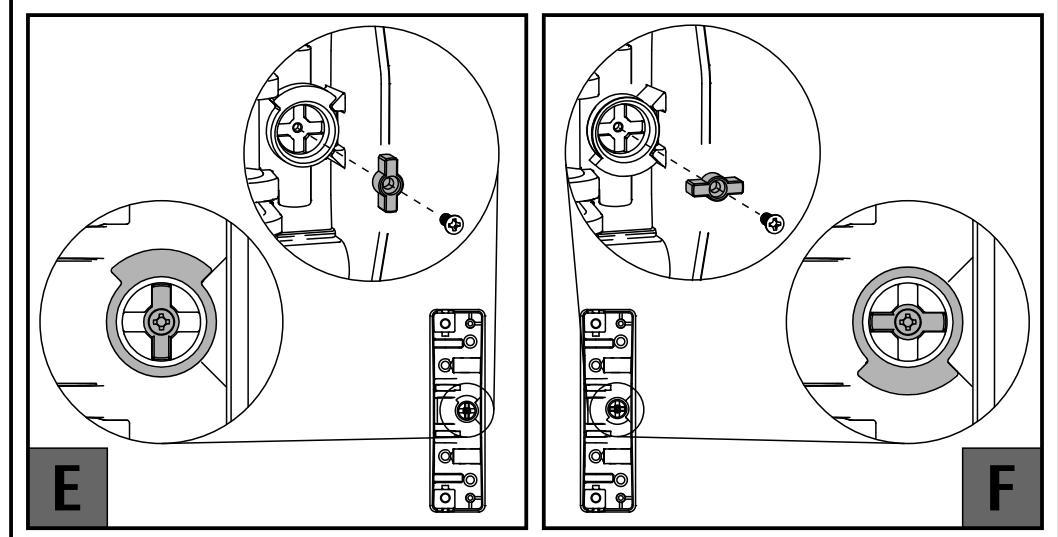
### 1. Bolt Stop Position



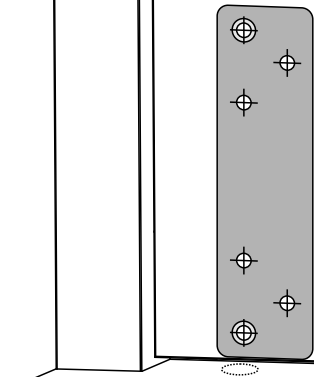
### 2. Cylinder Orientation



### 3. Cylinder Cam Position



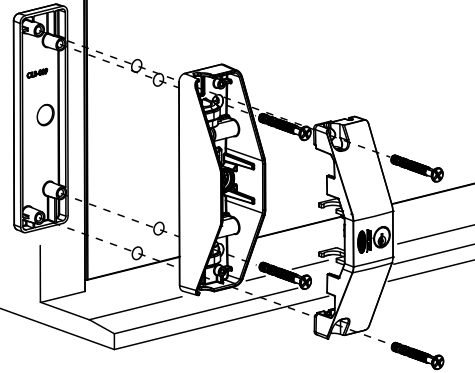
## Template



1. Using the Hole Template, drill desired holes into the door. Note symbols represent which holes to drill for each door configuration.



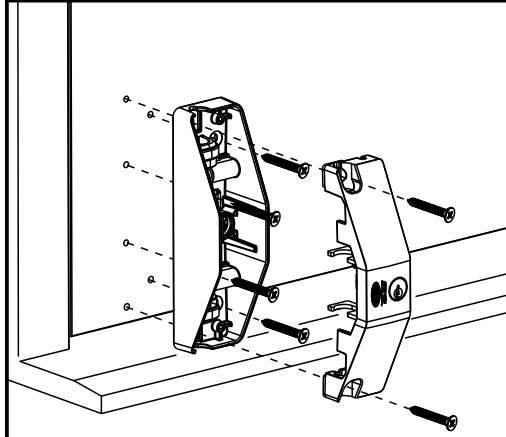
## Mounting with External Coverplate



1. Using 4 M6 x 65mm C/Sink bolts, secure the external coverplate as shown.

▲ Drill holes marked with this symbol on template.

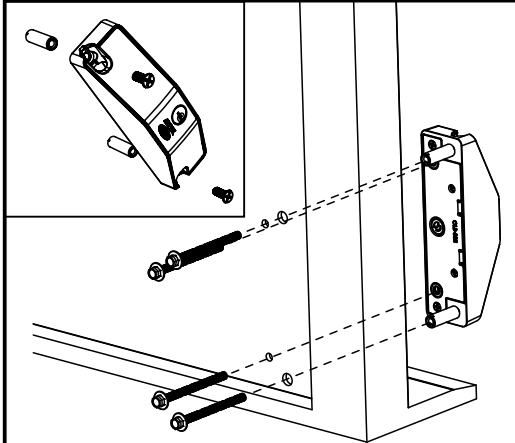
## Mounting to Timber Door



1. Using 6 10g x 1.25" wood screws, secure the assembly body to the door as shown.

■ Drill holes marked with this symbol on template.

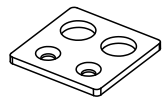
## Mounting with Shear-off bolts



1. Secure 2 M6 x 30 Sleeve nuts to the top mounting holes.  
2. Using 4 M6 x 75 Shear Off bolts, assemble lock body to the door.

● ★ Drill holes marked with these symbols on template.

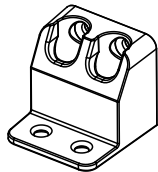
## Strike configurations



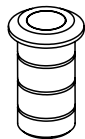
Flat Strike - included in pack.

A variety of strike options are available. Choose the strike that is best suited to your application.

If drilling directly into the floor or door jamb, a Ø13mm hole will be required.

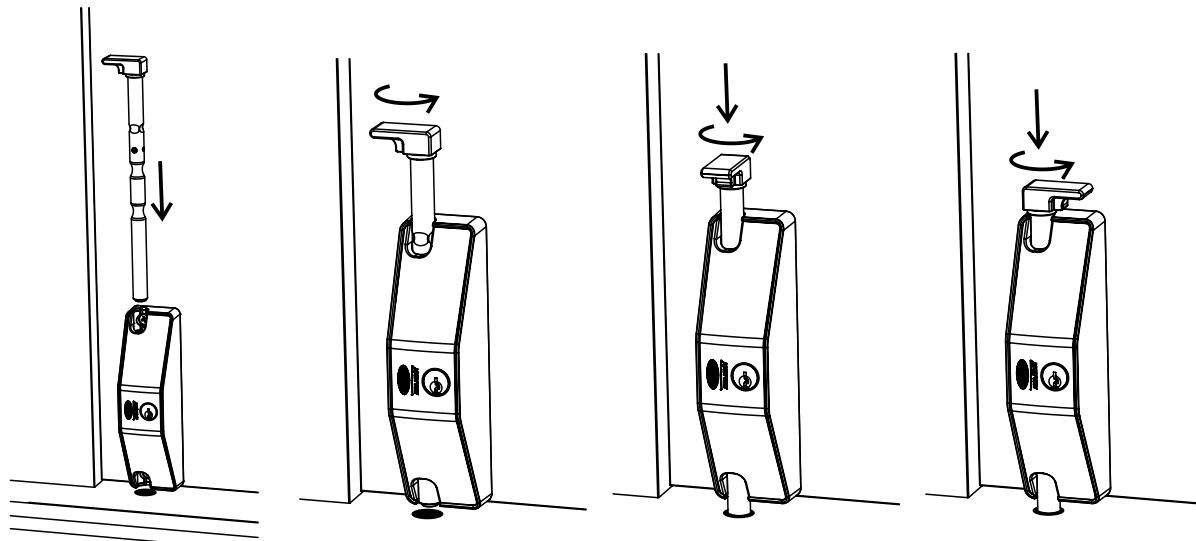


Zinc Strike Box - Spare Part No. SP980-002



Flush Bolt Ferrule - Spare Part No. 840255

## Bolt Installation



1. Insert bolt into lock body with the top knob facing away from the cylinder.
2. Push bolt down until it hits the stop.
3. Rotate bolt 90° from the face of the door and continue to push down until fully engaged.
4. In this position insert the key into the cylinder and rotate 90° to lock the bolt.

The bolt can also be locked in the unlocked (bolt up) position.