

Flush Pulls



The range of Lockwood Flush Pulls offer multiple solutions for flush mount door furniture.

Application

The range of Lockwood Flush Pulls are suited to numerous applications which require the door furniture to be flush with the surface of the door.

Product Details

Finishes Satin Stainless Steel (SS)
Polished Stainless Steel (PS)
Chrome Plate (CP)
Satin Chrome Pearl (SP)
Polished Brass Plate (PBP)

Materials Zinc
Stainless Steel

Standards and Compliance



These products have been successfully tested in accordance with AS 2331-3.1: 2001. Neutral Salt Spray Test (NSS TEST).

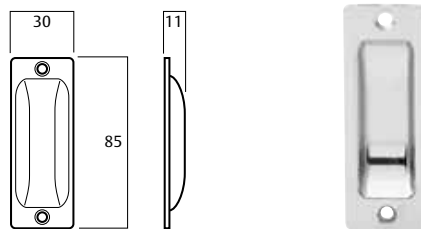
Flush Pulls

L609

Dimensions	Finish	Packaging	Part Number
85 x 30mm	Chrome Plate	Display	L609CPDP
	Polished Brass Plate	Display	L609PBPD
	Satin Chrome Pearl	Display	L609SPDP

Features and Specifications

- Zinc alloy cast flush pull
- Display packed, complete with fixing screws

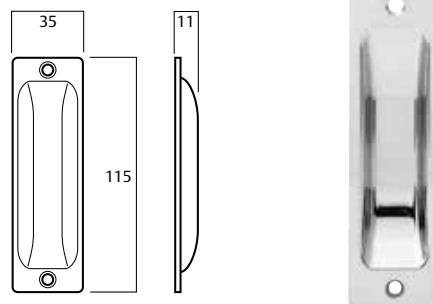


L611

Dimensions	Finish	Packaging	Part Number
115 x 35mm	Chrome Plate	Display	L611CPDP
	Polished Brass Plate	Display	L611PBPD
	Satin Chrome Pearl	Display	L611SPDP

Features and Specifications

- Zinc alloy cast flush pull
- Display packed, complete with fixing screws

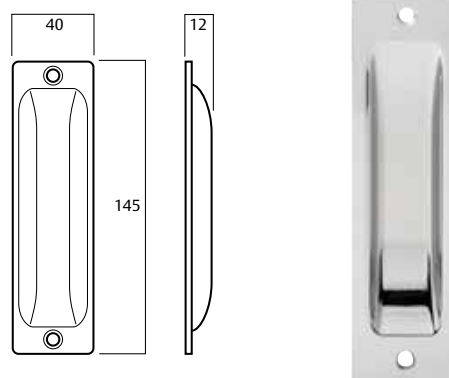


L610

Dimensions	Finish	Packaging	Part Number
145 x 40mm	Chrome Plate	Display	L610CPDP
	Satin Chrome Pearl	Display	L610SPDP

Features and Specifications

- Zinc alloy cast flush pull
- Display packed, complete with fixing screws



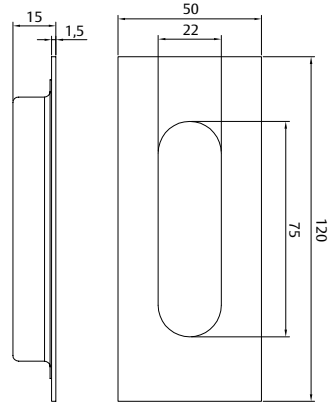
Flush Pulls

FP1-120

Dimensions	Finish	Packaging	Part Number
120 x 50mm	Satin Stainless Steel	Trade	FP1-120SS
	Polished Stainless Steel	Trade	FP1-120PS

Features and Specifications

- Stainless steel flush pull
- Trade packed, complete with fixing screws



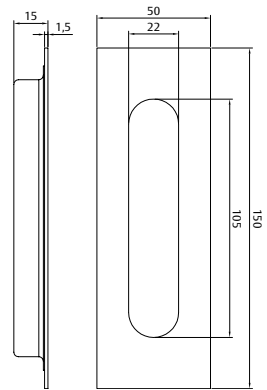
FP1-150

Dimensions	Finish	Packaging	Part Number
150 x 50mm	Satin Stainless Steel	Trade	FP1-150SS
	Polished Stainless Steel	Trade	FP1-150PS

Note: Fixing screws included.

Features and Specifications

- Stainless steel flush pull
- Trade packed, complete with fixing screws



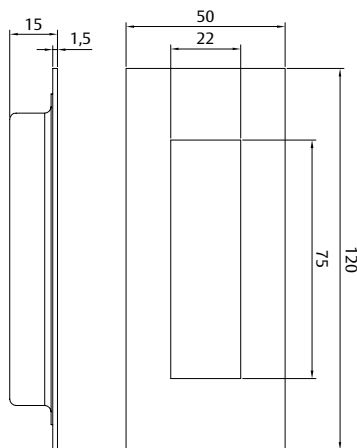
Flush Pulls

FP2-120

Dimensions	Finish	Packaging	Part Number
120 x 50mm	Satin Stainless Steel	Trade	FP2-120SS
	Polished Stainless Steel	Trade	FP2-120PS

Features and Specifications

- Stainless steel flush pull
- Trade packed, complete with fixing screws



FP2-150

Dimensions	Finish	Packaging	Part Number
150 x 50mm	Satin Stainless Steel	Trade	FP2-150SS
	Polished Stainless Steel	Trade	FP2-150PS

Features and Specifications

- Stainless steel flush pull
- Trade packed, complete with fixing screws

