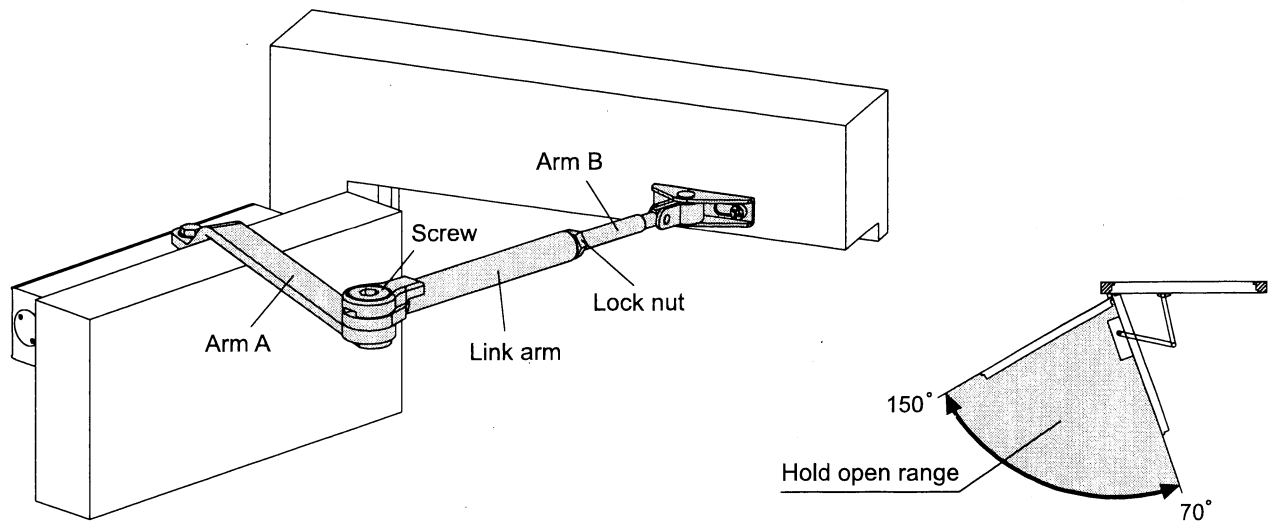


LOCKWOOD HOLD OPEN ARM INSTALLATION INSTRUCTION

SUITABLE FOR 3024, 7714, 7724 and 7726 DOOR CLOSER SERIES

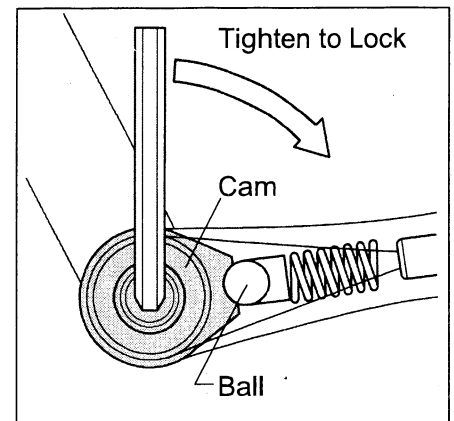


Mounting instructions

Door Closers with hold open arm are mounted in the same way as door closers with standard arm.
(see original mounting instructions for door closer)

Setting and adjusting hold open angle

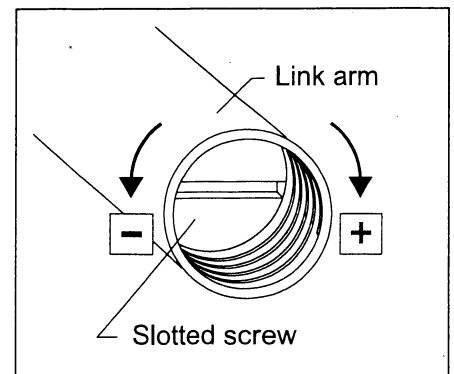
Adjust cam to engage ball as shown (bring door leaf to hold open position)
Loosen screw 1 full turn
Move door leaf to new hold open position
Tighten screw securely



The hold open arm is not to be used on fire/smoke rated doors

Adjusting hold open power

Separate link arm and arm B
As shown, use a screwdriver to adjust the slotted screw to increase or decrease the holding power.
After adjustment re-assemble the arm as shown in the main picture
Ensure the lock nut is securely tightened



Notes

3024 closer uses 90mm arm B for size 2 setting. Otherwise use 110mm arm B
150mm arm B is available as spare part for transom fixing with wide door stop.