

Mortice Digital DX Lockset



The Lockwood Digital DX Locksets provide a mechanical method of keyless entry and are designed to control access into commercial areas, especially when frequent combination changes are needed to maintain security.

For extra security when under forced attack, the inbuilt clutching mechanism allows the outside knob to rotate without operating or damaging the lock.

The factory set 5 digit code is easily changed to any 4, 5 or 6 digit code using the code changing kit provided with each lock.

As the digital lockset utilizes mechanical operation, electrical wiring is not required.

3570 Mortice Digital DX Locksets facilitate the combination of 3572 Series Cylinder Mortice Locks, Lockwood 1800 or 2800 Series and DX Digital code pad to provide keyless entry.

Key Features

Outside Function

Press the C button, enter the correct code, then turn the knob to unlock the door. Upon releasing the turn knob the code is automatically cancelled.

Inside Function

By lever handle or knob at all times.

Hold-Back Function

A key operated hold-back function is available upon request. This is achieved by a pin tumbler cylinder on the inside allowing the bolt to be held back.

Product Details

Backset	60mm
Door Thickness	32mm to 50mm
Finish	Satin Chrome Brushed (SC)
Internal Case Assembly	High purity zinc alloy, 92mm wide, 72mm high, 54mm projection
Latch	18mm projection, stainless steel

Extended backsets 89mm and 127mm on application. Door Furniture Lockwood 1800 and 2800 Series (ordered separately).

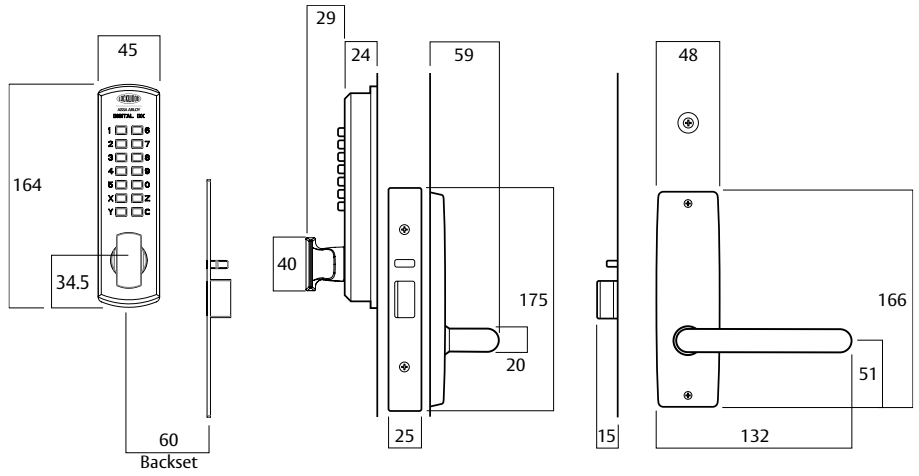
Mortice Digital DX Lockset



Exterior



Interior



Fire Rated

Successfully tested to 4 hours on fire door assemblies in accordance with Australian Standard AS 1905.1 2005 - Part 1, Fire Resistant Doorsets.

3582, 3592 Short Backset Digital DX Lockset



The Lockwood Digital DX Locksets provide a mechanical method of keyless entry.

For extra security when under forced attack, the inbuilt clutching mechanism allows the outside knob to rotate without operating or damaging the lock.

The factory set 5 digit code is easily changed to any 4, 5 or 6 digit code using the code changing kit provided with each lock.

Lockwood Digital DX Locksets are designed to control access into commercial areas, especially when frequent combination changes are needed to maintain security.

As the digital lockset utilizes mechanical operation, electrical wiring is not required.

3580 Mortice Digital DX Locksets facilitate the combination of 3582 Series Cylinder Mortice Locks, Lockwood 4800 or 5800 Series and DX Digital code pad to provide keyless entry.

Key Features

Backset

Open-out door: 23, 25.4, 30 and 38mm. Open-in door: 38mm recommended. Installation of 23, 25.4 or 30mm on open-in doors would require the door stop to be machined to clear the digital pad.

Inside Function

Opened by knob/lever at all times.

Product Details

Door Thickness	32 to 50mm for timber doors. 35 to 50mm for metal doors
Finish	Satin Chrome Brushed (SC)
Internal Case Assembly	High purity zinc alloy, 92mm wide, 72mm high, 54mm projection
Latch	18mm projection, stainless steel

Note: As suitability of lever will be influenced by the lock backset, refer to chart for Lever/Backset compatibility Lockwood Door Handle Catalogue. Lockwood 4800 and 5800 Series (ordered separately).

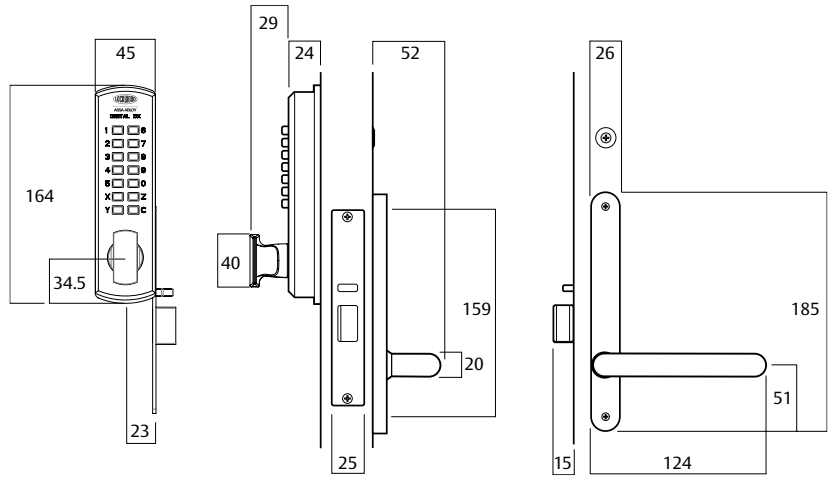
3582, 3592 Short Backset Digital DX Lockset



Exterior



Interior



3572 Key Override Digital DX Lockset



The Lockwood Digital DX Locksets provide a mechanical method of keyless entry and are designed to control access into commercial areas, especially when frequent combination changes are needed to maintain security.

For extra security when under forced attack, the inbuilt clutching mechanism allows the outside knob to rotate without operating or damaging the lock.

The factory set 5 digit code is easily changed to any 4, 5 or 6 digit code using the code changing kit provided with each lock.

As the digital lockset utilizes mechanical operation, electrical wiring is not required.

3570 Mortice Digital DX Locksets facilitate the combination of 3572 Series Cylinder Mortice Locks, 577 cylinder assemblies, Lockwood 1800 or 2800 Series and DX Digital code pad to provide keyless entry with key override.

Key Features

Outside Function

Outside: Press the C button, enter the correct code, then turn the knob to unlock the door. Upon releasing the

turn knob the code is automatically cancelled. The key override pin tumbler cylinder enables quick access by key for authorities such as the fire brigade or those who need to carry a master key to access all rooms of a building. Inside: By lever handle or knob at all times.

Inside Function

By lever handle or knob at all times.

Hold-Back Function

A key operated hold-back function is available. This is achieved by a pin tumbler cylinder on the inside allowing the bolt to be held back. Will also require change to internal furniture plate.

Restricted Special Keying

Lockwood locks can be keyed to a number of controlled and/or specially keyed systems. These range from legally protected keys to protect against unauthorised duplication, which can also include specially designed key systems such as master key systems, which allow for different levels of mechanical access control.

Please refer to Lockwood Catalogue Cylinders & Keying for keying systems or contact your local sales office or customer service for specific information.

Product Details

Backset	60mm
Cylinder	Pin tumbler mechanism with round brass cylinder
Door Thickness	35mm to 50mm
Finish	Satin Chrome Brushed* (SC)
Lock Assembly	3572 Series Cylinder Mortice Deadlatch

* Extended backsets 89 and 127mm on application. For furniture to suit 3572 Series Locksets select from Lockwood 1800 and 2800 Series. (ordered separately).

Standard Keying

- Supplied individually keyed with two keys per lock
- 78,000 key combinations
- Key blank KB2015P

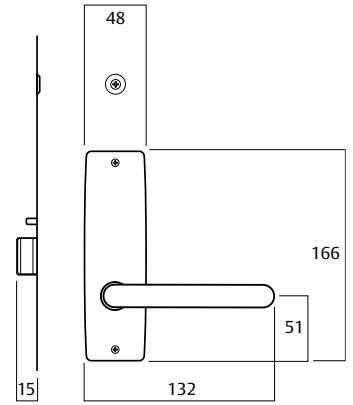
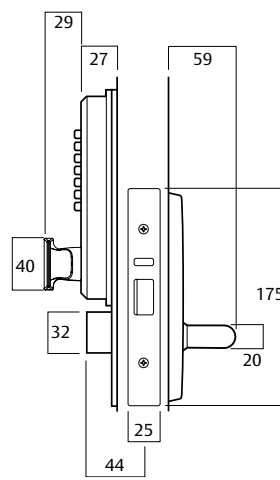
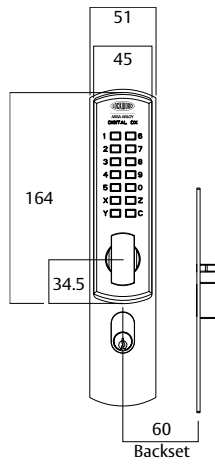
3572 Key Override Digital DX Lockset



Exterior



Interior



Fire Rated

Successfully tested to 4 hours on fire door assemblies in accordance with Australian Standard AS 1905.1 2005 - Part 1, Fire Resistant Doorsets.

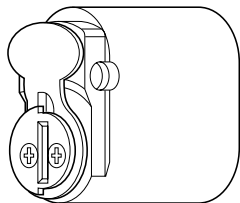
Mortice Digital DX Accessories

Hold-Back Cylinder

Special cylinders with levers that enable the latchbolt to be held in the retracted position. This cylinder type hold-back can only be applied or released by the key. These special cylinders are available on application and are supplied handed to suit lock function. Can only be installed to internal side of digital 3572 Locks.

Standard Finishes

Satin Chrome Brushed **SC**



Hold-back Cylinder

Series	Right Hand	Left Hand
3570 Locks	SP3570-2402SC	SP3570-2452SC
3580 Locks	SP3580-2402SC	SP3580-2452SC

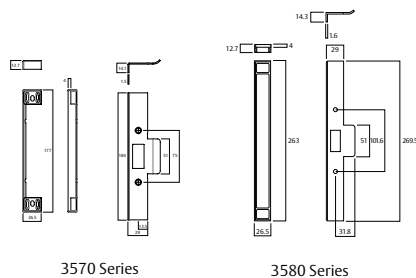
*To order, add finish to part number eg. 3570-2402CP

Rebate Kits

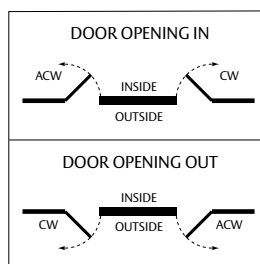
Rebate kits suit standard 13mm rebate.

Standard Finishes

Satin Chrome Brushed **SC**



Handing



CW (Clockwise)
ACW (Anti-Clockwise)

Left Hand open in and Right Hand open out.
Left Hand open out and Right Hand open in.

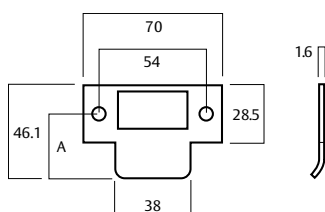
Rebate Kit Part Numbers

Series	Part Numbers
3570	3P72-RK32SS
3580	3580-2902 CWSC—Clockwise 3580-2902ACWSC—Anti-Clockwise

Short/Extended Lipped Strikes

Standard Finishes

Satin Chrome Brushed **SC**



Strike Part Numbers

Finish	(A)	Part Number
SSS	25.4mm	SP3570-4053SSS
SSS	32mm	SP3570-5053SSS
SSS	43.5mm	SP3570-5253SSS
SSS	47.5mm	SP3570-5453SSS
530 Series		
SC	40mm	SP530-153SC

Mechanical Digital DX Mortice Locks

Ordering Procedure

Sample part number 3572DXKORSC is made up of several sections. Choose your product by selecting an option from each section.

Mortice Digital DX Locks Ordering Procedure

Product	Function	Special Spec.	Handing	Finish	Special Functions
3	572DX	KO	R	SC	

Product	Special Specification	Finish
60mm	None	Satin Chrome Brushed SC
89mm	Key Override KO	
127mm		
Short Backset	Handing	Special Functions
23mm	Right Handed R	None
25.4mm	Left Handed L	No Cylinders NCYL
30mm		
38mm		

Function	
Mortice Lock	572DX
Short Backset Mortice Lock (Metal Door)	582DX
Short Backset Mortice Lock (Timber Door)	592DX

002/530 Digital DX Ordering Procedure

Hardware Code	Keypad Code	Finish	Packaging	Special Functions
530	DX	SC	DP	

Hardware Code	Keypad Code	Finish	Packaging	Special Functions
530 Latch Plate	Digital DX	Satin Chrome Pearl SC	Display Pack DP	None
002 Deadlatch Knob Timber Frame		* 530 Variations only	Trade Pack -	Double Keypad /PADSX2
002 Deadlatch Knob Metal Frame				* Double keypad version available 530 variations in trade pack only
002 Deadlatch Knob Open Out				
002 Deadlatch Lever Timber Frame				
002 Deadlatch Lever Metal Frame				
002 Deadlatch Lever Open Out				