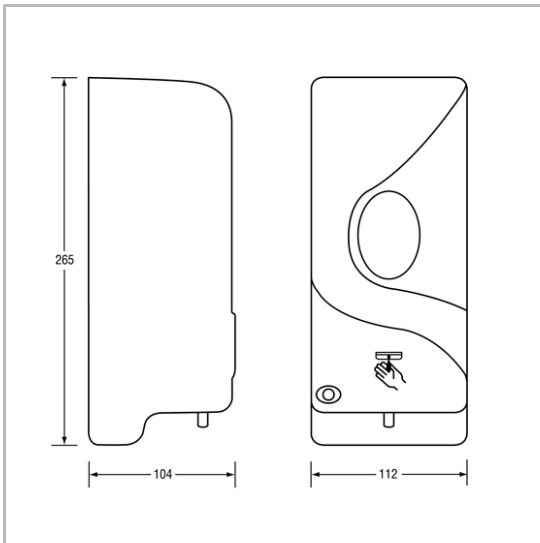




ML950DA
Auto Soap Dispenser - ABS

SPECIFICATIONS

- Material** White ABS Body
- Mounting** Surface Mount Concealed Fix
- Features** Provides one drop per cycle (1~1.5mL)
Auto Operation: Infrared Sensor
Operated/Powered by six AA Batteries (not included) provides approx 10,000 drops/one year usage
Green Standby Light
Red Low Battery Light
Can be used with select Medical Grade Soaps
Liquid Level Indicator
Lockable (key provided)
- Capacity** 950mL Removable Reservoir



SUITABLE APPLICATIONS

