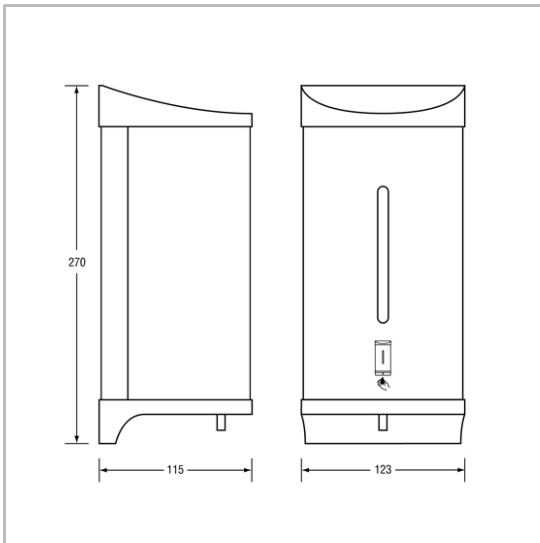




ML950SS Auto Soap Dispenser - SS

SPECIFICATIONS

Material	#304 Stainless Steel Case, ABS Top & Base
Finish	Satin Stainless Steel Case, Black top & Base
Mounting	Surface Mount Concealed Fix
Features	Provides one drop per cycle (1~1.5mL) Auto Operation: Infrared Sensor Operated/Powered by six AA Batteries (not included) provides approx 10,000 drops/one year usage Green Standby Light Red Low Battery Light Can be used with select Medical Grade Soaps Vandal resistant security lock (key provided)
Capacity	900mL Removable Reservoir



SUITABLE APPLICATIONS

