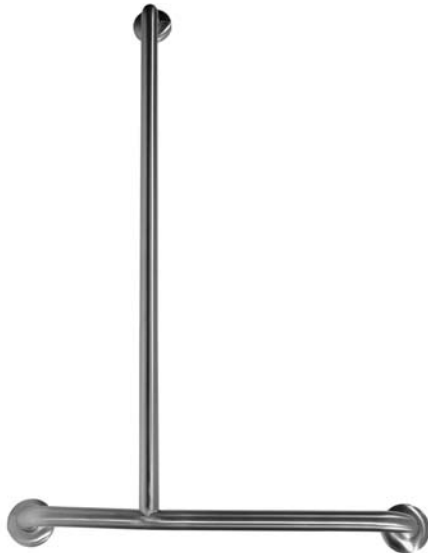




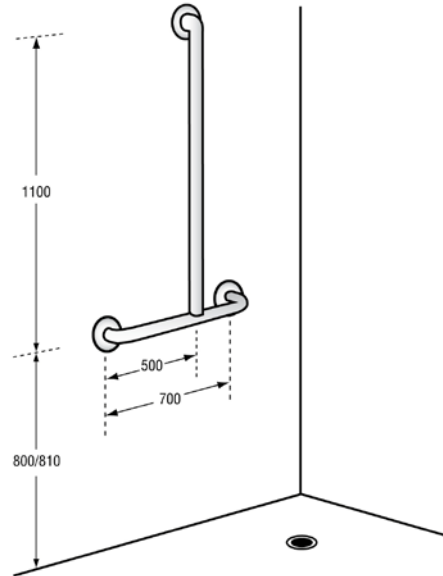
MATERIAL SPECIFICATION & INSTALLATION GUIDE

PRODUCT ITEM CODE & DESCRIPTION

MLR 107 / 108 ~ DISABLED SHOWER INVERTED OFF-SET "T" GRAB RAIL



MLR 107 (L/H)



MLR 108 (R/H in-situ depiction)

MATERIAL SPECIFICATION:

#304 Grade Stainless Steel 32mm \varnothing Tubing, #3 Finish / Concealed Multi-point Fix 75mm \varnothing Wall Mount Flanges / All Welds Seamless and Linished / *Can Also Be Provided in Polished or Powder Cote Finish*

DIMENSIONS:

As Depicted Above

INSTALLATION GUIDE:

These units are to be surface mounted and are subject to compliance to Australian Building Code Regulations and/or AS 1428.1 for height location and fitment for disabled/accessible use as may be applicable, which is the responsibility of the installation contractor.

NOTE: It is recommended that a "wet area" rated silicone be placed between the mounting plate and surface being affixed to, in minimising ingress of water (all shower applications) or cleaning agents that may react unfavourably with fixings or in creating unwanted staining.

Anchors are not included (recommend to only use quality SS type fixings) with the units and are the responsibility of the installation contractor, as is the compliance re fitment of internal wall blocking, such as noggins for anchoring the unit to using appropriate hardware.



All Metlam Disabled/Accessible Products Comply To AS 1428.1 When Correctly Installed

These units should only be installed by a competent tradesperson and Metlam Australia takes no responsibility for any damage to walls or fixtures due to incorrect installation.