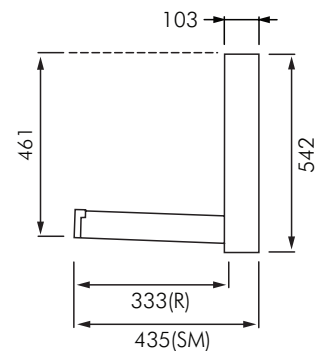
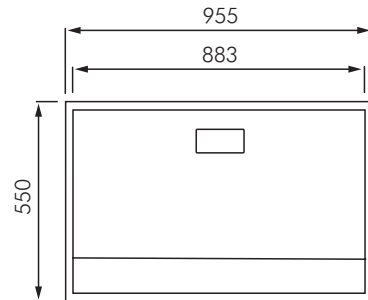


BR100-SSC

'CLAD' STAINLESS STEEL BABY CHANGE TABLE



DESCRIPTION

This baby changing station are similar to the BR100-EH table made from high-density polyethylene body but finished with a stainless steel shell. Clean design fits suits all decor and is excellent for cost conscious customers. All models include built-in dual liner dispensers, all necessary mounting hardware, safety strap and buckle.

This product is intended for children up to a maximum weight of 22.7kg (50lbs.)

INSTALLATION

- Protrudes 102mm from wall
- Includes easy to install, step by step instructions.
- Stainless steel liner dispenser 200-SSLD is available as an optional extra.

MODELS

BR100-SSC-R - Standard model.

BR100-SSC-SM - Same as standard model but for surface mounting.