

1

2

3

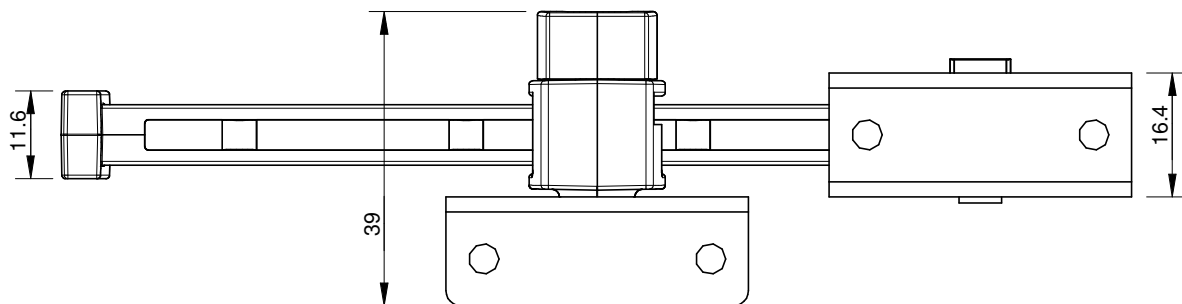
4

5

6

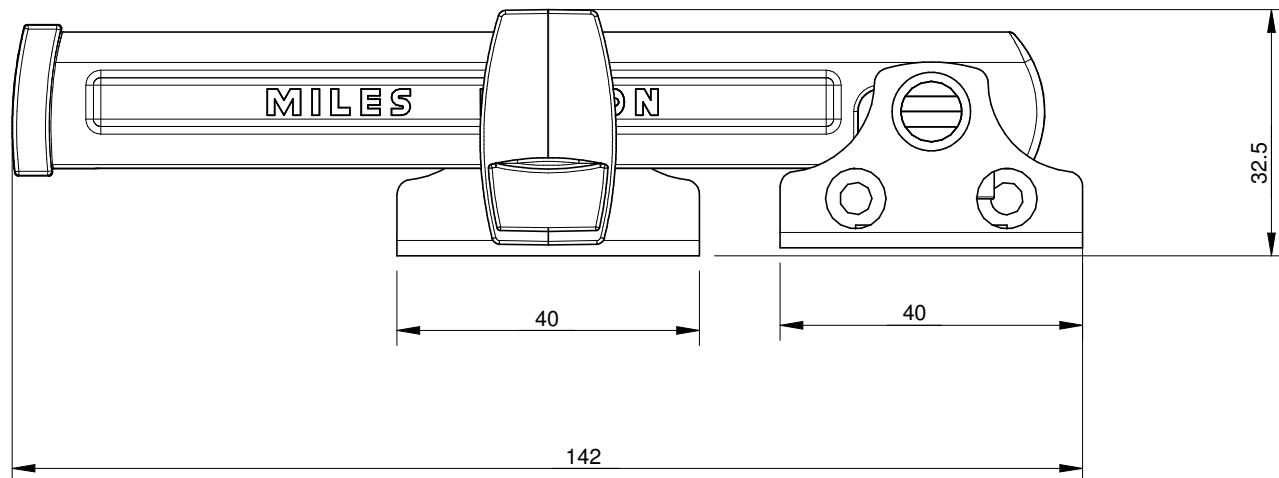
A

A



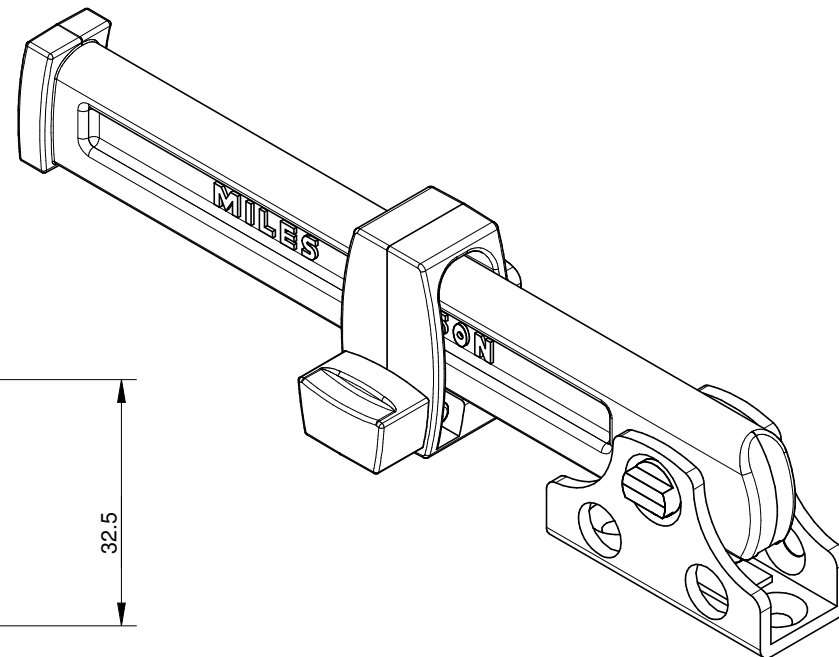
B

B



C

C



D

D

			<u>General (mm)</u> <u>Tolerance</u>  Linear $0.0 \pm 0.05\text{mm}$ $0 \pm 0.2\text{mm}$  Angular $\pm 0.2$	<b>MILES NELSON</b>  228 KITCHENER RD MILFORD, AUCKLAND, NEW ZEALAND. PH: 64 9 489 7225 FAX: 64 9 489 5552	TITLE  <b>250 Window Security Stay Aluminium</b>		
ISSUE	CHANGE DESCRIPTION	DATE	THIS DESIGN AND DRAWING IS THE COPYRIGHT OF MILES NELSON MANUFACTURING CO LTD AND IS NOT TO BE REPRODUCED WITHOUT WRITTEN PERMISSION	<b>DO NOT SCALE          IF IN DOUBT ASK</b>		SCALE 1:1	
				DRAWING NO. <b>C250 ALU</b>	SHT__OF__	DRAWN BY K.P.	APPROVED BY  DATE