

1

2

3

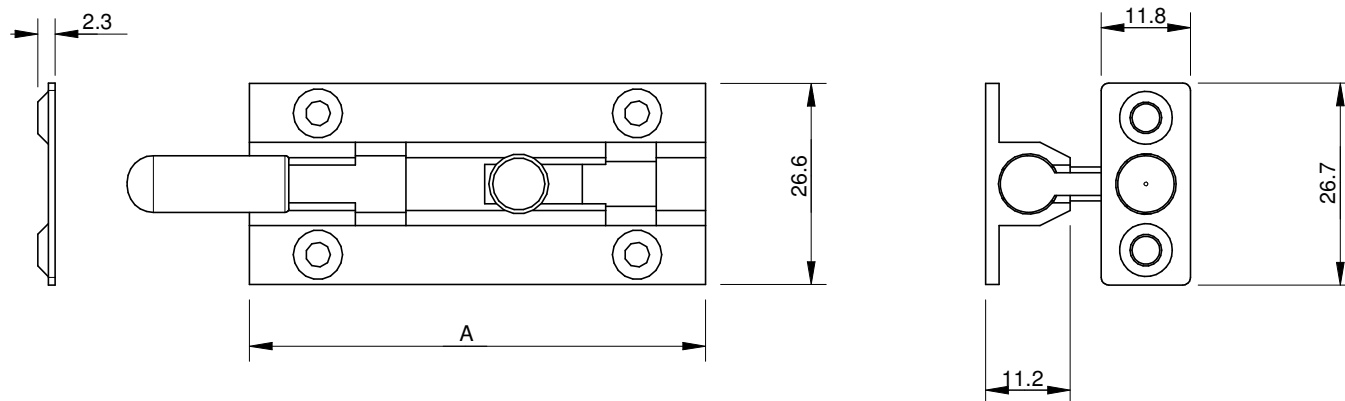
4

5

6

A

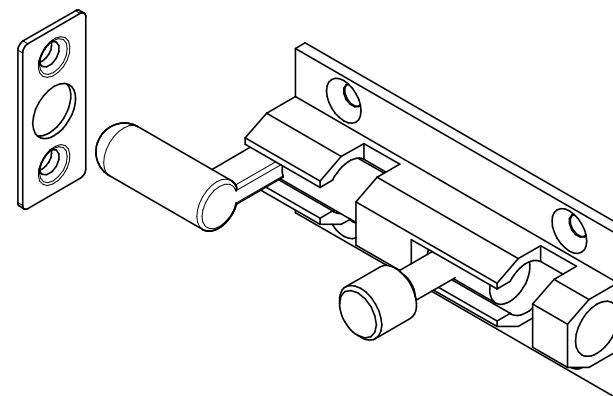
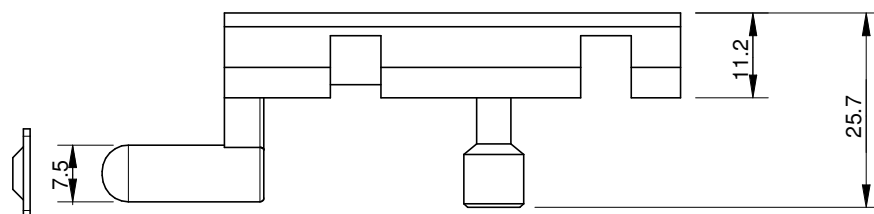
A



Product	A Dim
269-8-100	100
269-8-75	75
269-8-60	60
269-10-150	150

B

B



C

C

D

D

General (mm)  
Tolerance

Linear  
 $0.0 \pm 0.05\text{mm}$   
 $0 \pm 0.2\text{mm}$

Angular  
 $\pm 0.2$

**MILES NELSON**

228 KITCHENER RD  
MILFORD, AUCKLAND,  
NEW ZEALAND.  
PH: 64 9 489 7225  
FAX: 64 9 489 5552

THIS DESIGN AND DRAWING IS THE COPYRIGHT  
OF MILES NELSON MANUFACTURING CO LTD  
AND IS NOT TO BE REPRODUCED WITHOUT  
WRITTEN PERMISSION

TITLE

269 Necked Bolt

**DO NOT SCALE  
IF IN DOUBT ASK**

SCALE 1:1  
DRAWN BY K.P.

DRAWING NO.

C269

SHT 1 OF 1

APPROVED BY

DATE

ISSUE	CHANGE DESCRIPTION	DATE