

Aluminium Window Restrictor Stay Installation Instructions

10 YEAR WARRANTY

Suitable for left and right hand applications.

NB: Window Stay supplied is for right hand operation. If left hand operation is required follow Step 1 (A,B,C).

- 1**
 - A.** Using the cam spanner disengage the arm from the window mount to change to left hand operation.
 - B.** Then using the allen key provided, remove the screw located at the end of the arm. Rotate the body and re-insert the arm.
 - C.** Tighten grub screw and re-engage the window mount to the arm. Ensure the cam and handle are both facing into the window.

NB: Failure to replace the grub screw located at the end will lead to the arm falling out of the body.

- 2**

INSTALLING WITH WINDOW SHUT

 - A.** Measure approximately 300mm up from bottom of window and mark top hole for the window mount.
 - B.** Remove the arm and drill screw holes (ø2.5mm) and screw the window mount to window frame.
 - C.** Adjust the window mount so it is parallel with the frame. If required add the adhesive strip on the inside face of the window mount to reduce rattling.
 - D.** It may be necessary to use the plastic spacers supplied dependant on the window frame.

- 3**
 - A.** Re-engage arm to window mount and tighten cam. Make sure that the body is just clear of the window mount.
 - B.** As in illustration, the body sits in the first locating position below window mount, mark the screw holes (ø2.5mm) for base and fix to frame here.
 - C.** Mark holes for base and fix to window frame with screws.

NB: When installing the window mount take care to avoid the edge of glass in frame.
Hint: Use existing handles as a guide for the location of holes relative to the glass location. If in doubt, contact the window supplier for further information on the rivets/screws that are required and the location of the glass edge.

- 4**

TO COMPLETELY OPEN WINDOW

You must disengage the window stay.
 When the window is closed, turn the cam with the spanner to the open position and unhook the arm from the window mount. To re-engage, close the window and hook the arm onto the window mount and turn cam to closed position.

NB: Closed setup is illustrated.

Using the glide feature:

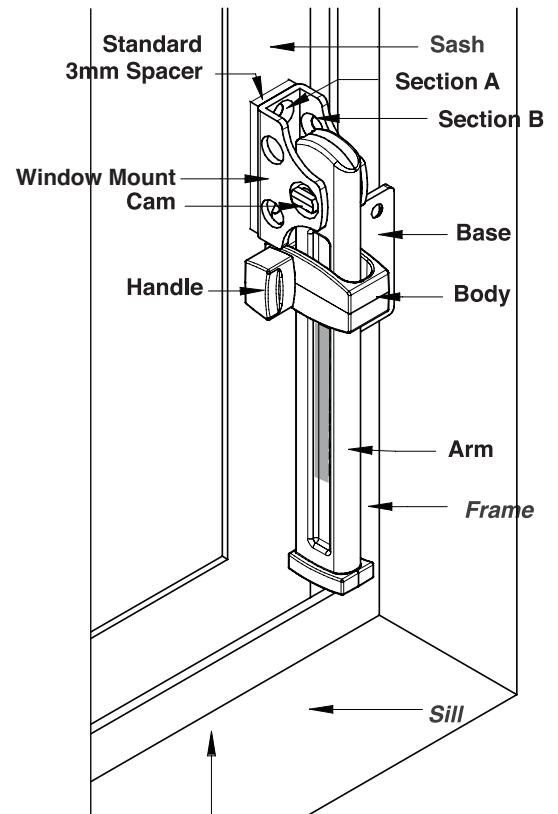
The handle on the body is shown in the holding mode (arm will locate into 3 available positions). To use the glide feature rotate handle 90° (arm will travel freely through body).

Spacer:

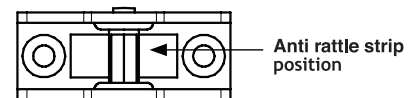
Spacers are supplied for timber windows that may require more clearance for operation. These spacers have been supplied to use on the window mount 3mm, window mount 6mm, base and side of window mount.

Care and cleaning:

Clean with a soft cloth and non-abrasive cleaning agent. Do not use ammoniated detergents, metal polish, solvents or other abrasive agents.



NB: For installation on awning windows, the safety stay should be installed as close to the bottom sill as possible to restrict the window opening width.



SPACERS:



Window Mount



Side of Window Mount

COMPONENTS:

