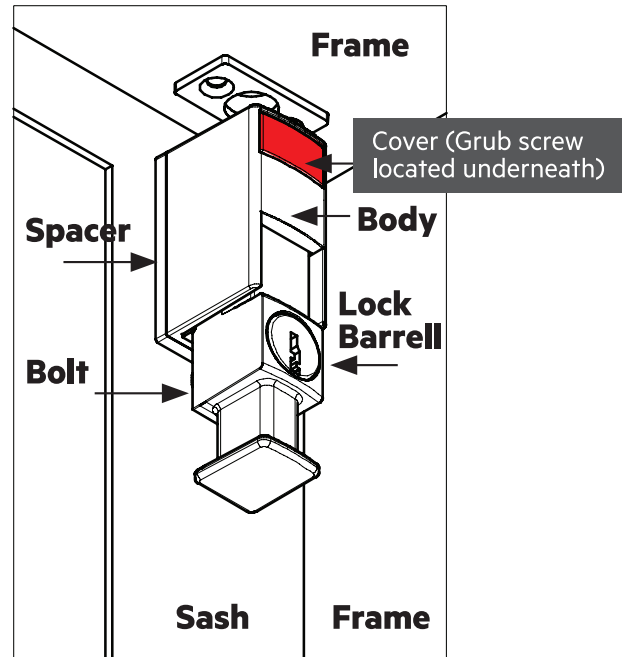


Mini Bolt Installation Instructions

10 YEAR WARRANTY

- 1** Decide the position of the bolt considering glass and key clearance and mark top edge of body location.
- 2** Use backing plate as a template to mark holes to be drilled. Pre-drill holes for screws. **NB: The grub screw is located under the small removable plastic cover on the front of the body.**
Removing Cover:
The cover can be removed by lifting the front edge.
- 3** Slide bolt out and then remove plastic cover from the top of the body.
- 4** Slide bolt back in, you can now see the grub screw where the plastic cover was, to remove this use the allen key.
- 5** The bolt can now be removed from the body, revealing the 2 fixing holes to screw body onto door/window. Now fix body to door/window ensuring that the backing plate is sitting behind the body.
- 6** Put the bolt back into the body, then, using the allen key, insert the grub screw back in the bolt.
NB: Failure to replace the grub screw may lead to the bolt falling out of the body.
- 7** Mark the centre position for where the hole for the shaft will be by placing the body in the position of where it will be fixed. Push bolt in so that it hits the top of the window frame leaving a mark. Open the door/window and drill a $\phi 12\text{mm}$ hole where marked. Then mark the screw holes for the striker plate and pre-drill for screws and fix striker plate to top of frame.
- 8** Check operation and fit cover to body.
NB: Before placing plastic cover back on the body- make sure to slide bolt out. This will prevent tabs on cover from being damaged.



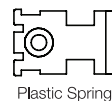
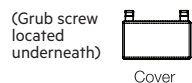
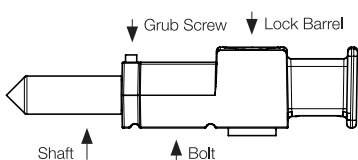
Hint for aluminium:

Use existing handles as a guide for location of holes. If in doubt contact the joinery supplier for further information on the rivets/screws that are required and the location of the glass edge.

Care and cleaning:

Clean with a soft cloth and non-abrasive cleaning agent. Do not use ammoniated detergents, metal polish or other abrasive agents.

COMPONENTS:



Spacer/Template:

