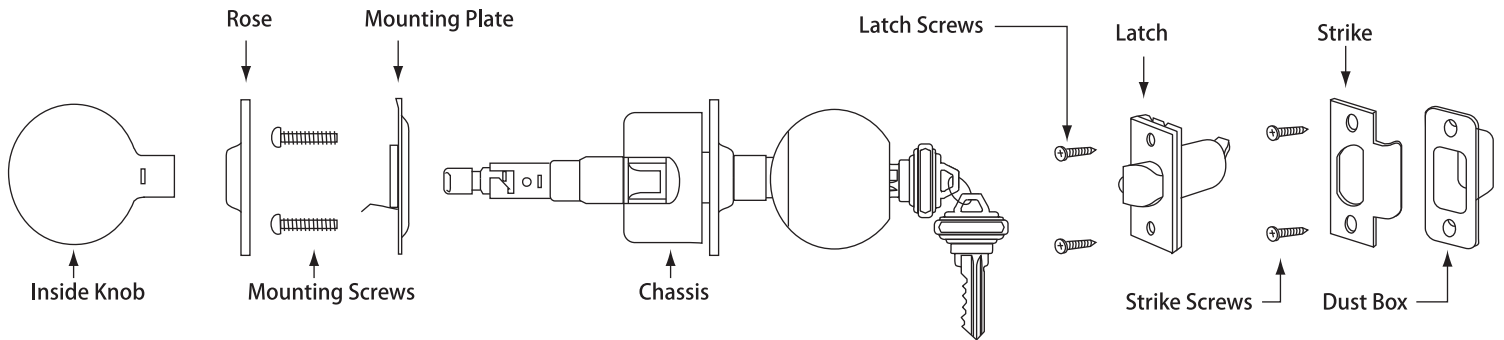


INSTALLATION INSTRUCTIONS

IMPORTANT - DO NOT DISASSEMBLE THE OUTSIDE KNOB MECHANISM WITHOUT A QUALIFIED SERVICE PERSON'S SUPERVISION

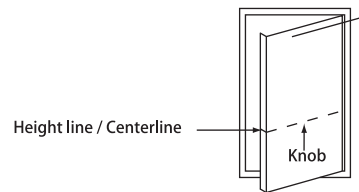
Knob Lock



Door and Jamb Preparation

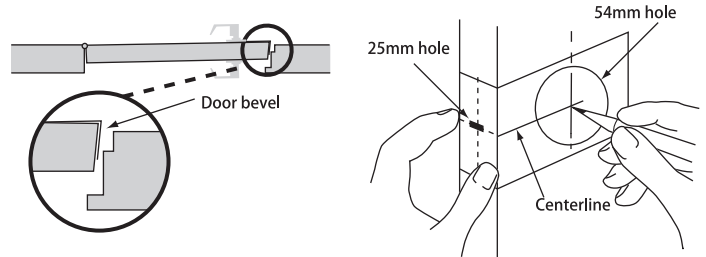
A. Mark Lockset Centerline.

- Measure desired height from finished floor.
- Mark centerline on both faces and edge of door.
- Start approximately 915mm from floor.



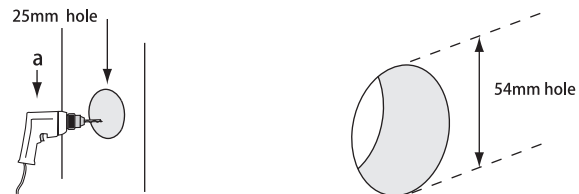
B. Mark Trim Drill Points.

- Template should be placed on high edge of beveled door.
- Align centerline of door template with centerline marked on door edge.
- Mark door face and door edge as shown.



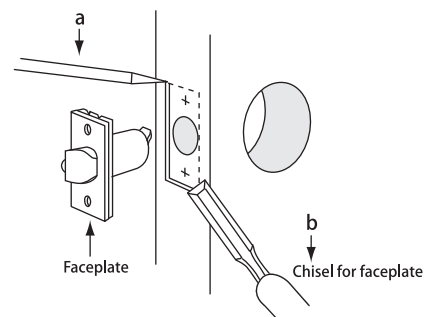
C. Drill Trim Holes.

- Drill holes from both sides of door to avoid splintering wood.
- Hollow metal doors must be reinforced for latch support.



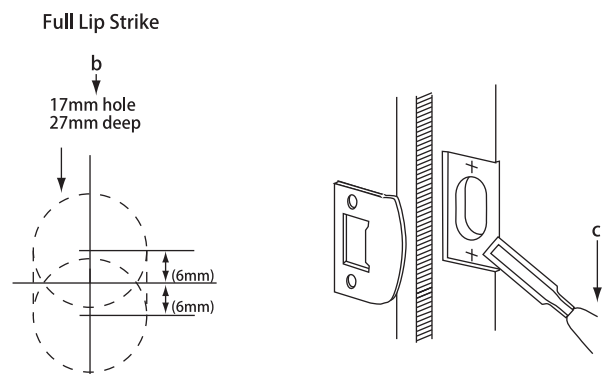
D. For Square Corner Latch.

- Use the latch faceplate as a pattern for the mortise. (Faceplate should fit flush.)
- Chisel a 1.5mm deep cutout or until latch faceplate is flush with door edge.



E. Prepare Door Jamb For Strike.

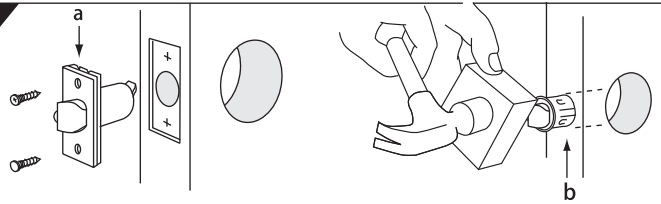
- Mark vertical line and centerline on door jamb exactly opposite center of latch hole.
- Drill two 22mm holes, 17mm deep in door jamb at center point.
- Chisel a cutout for the strike. Use the strike as a pattern for the chiseling. (Strike should fit flush with the doorjamb.)



Install Latch.

- Square Corner Latch: Beveled side of bolt should face the door jamb. Install two (2) latch screws.
- Drive-in Latch: Place wooden block against latch and tap block with hammer until faceplate is flush with door.

1

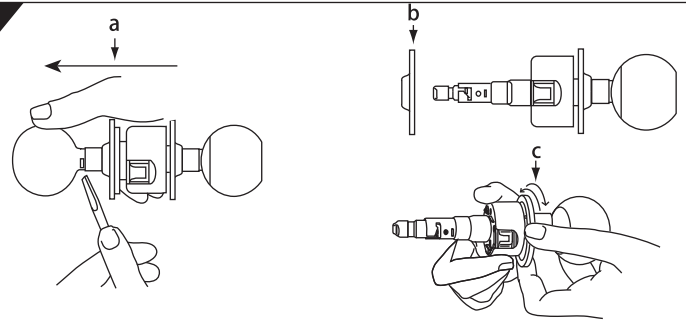


Prepare Outside Trim for Installation.

NOTE : DO NOT install lock with door closed.
DO NOT disassemble outside trim unless by qualified serviceman.

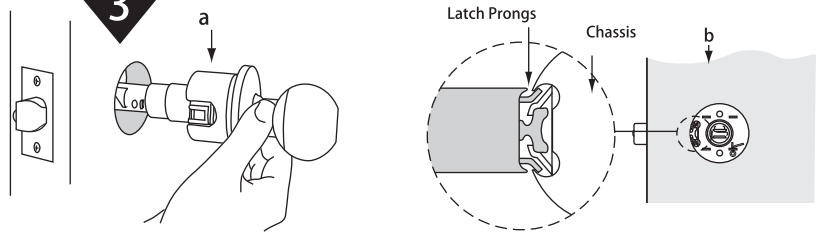
- Depress knob catch and slide off inside knob.
- Remove inside rose.
- If needed, rotate outside rose to suite door thickness.

2



Install Outside Trim.

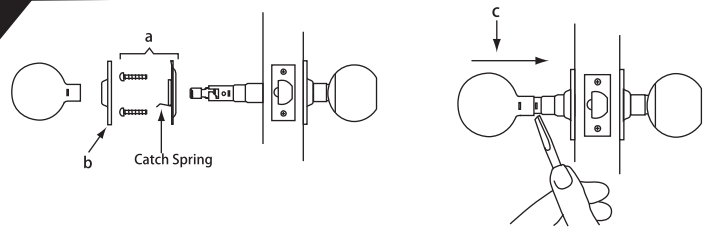
- Slide chassis into door.
- Make sure latch and chassis engage as shown.



Install Inside Trim.

- Install mounting plate with catch spring in lower position and secure with mounting screws.
- Turn to screw on rose until tight.
- Depress catch and install knob.

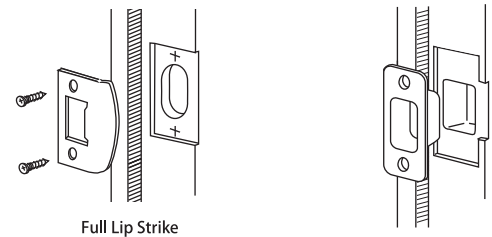
4



Install Strike.

Install strike and secure with two (2) screws dust box behind.

5



6

