

# Timber Window Restrictor Stay Installation Instructions

**10 YEAR WARRANTY**

**Suitable for left and right hand applications.**

**NB:** Window Stay supplied is for right hand operation. If left hand operation is required follow Step 1 (A,B,C).

- 1**
  - A.** Using the cam spanner disengage the arm from the window mount to change to left hand operation.
  - B.** Then using the allen key provided, remove the screw located at the end of the arm. Rotate the body and re-insert the arm.
  - C.** Tighten grub screw and re-engage the window mount to the arm. Ensure the cam and handle are both facing into the window.

**NB:** Failure to replace the grub screw located at the end will lead to the arm falling out of the body.

## 2 INSTALLING WITH WINDOW SHUT

- A.** Measure approximately 300mm up from bottom of window and mark top hole for the window mount.
  - B.** Use the template supplied to assist with hole location. For standard unsealed windows use holes marked standard 3mm spacer. If window is of more recent type with seal strips use holes marked 6mm spacer. Pre-drill  $\varnothing 2.5$ mm holes.
- NB:** If necessary fix window mount to the frame using 3mm or 6mm spacer. If required use the adhesive anti rattle strip on the inside face of the window mount to reduce rattling.

- 3**
  - A.** Disengage and remove arm from the window mount by turning cam with spanner. If not using template: Re-engage the arm, now mark position of body on window sill.
  - B.** Remove grub screw from arm (see component illustration) and separate arm and body. As in illustration, body sits in first locating position.
  - C.** Mark holes for base and fix to window frame with screws.

- 4** Re-insert arm through the body and re-install grub screw. Re-attach the arm to the window mount and lock cam.

## 5 TO COMPLETELY OPEN WINDOW

You must disengage the window stay.

When the window is closed, turn the cam with the spanner to the open position and unhook the arm from the window mount. To re-engage, close the window and hook the arm onto the window mount and turn cam to closed position.

**NB:** Closed setup is illustrated.

### Using the glide feature:

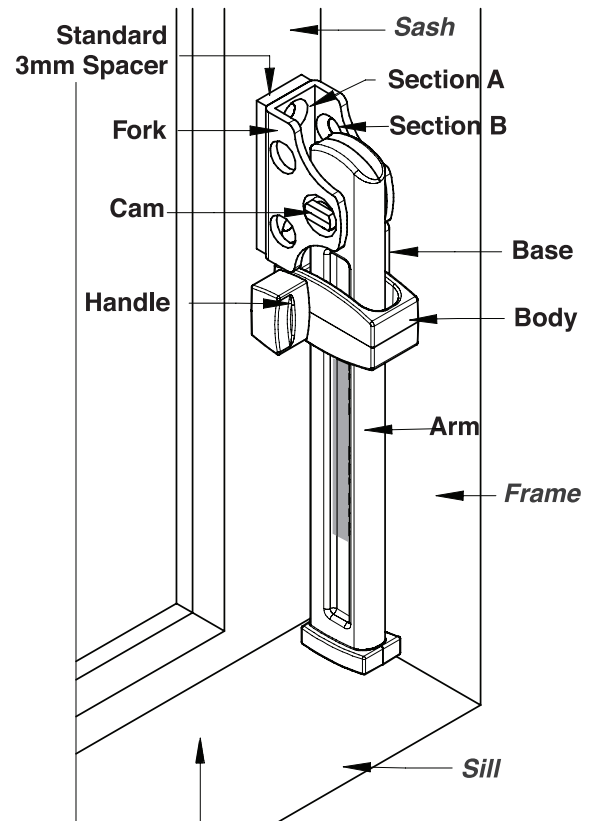
The handle on the body is shown in the holding mode (arm will locate into 3 available positions). To use the glide feature rotate handle 90° (arm will travel freely through body).

### Spacer:

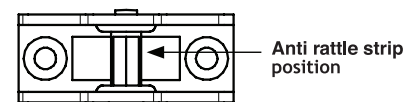
Spacers are supplied for timber windows that may require more clearance for operation. These spacers have been supplied to use on the window mount 3mm, window mount 6mm, base and side of window mount.

### Care and cleaning:

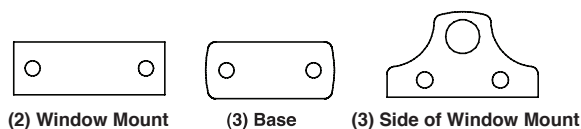
Clean with a soft cloth and non-abrasive cleaning agent. Do not use ammoniated detergents, metal polish, solvents or other abrasive agents.



**NB:** For installation on awning windows, the safety stay should be installed as close to the bottom sill as possible to restrict the window opening width.



### SPACERS:



### COMPONENTS:

