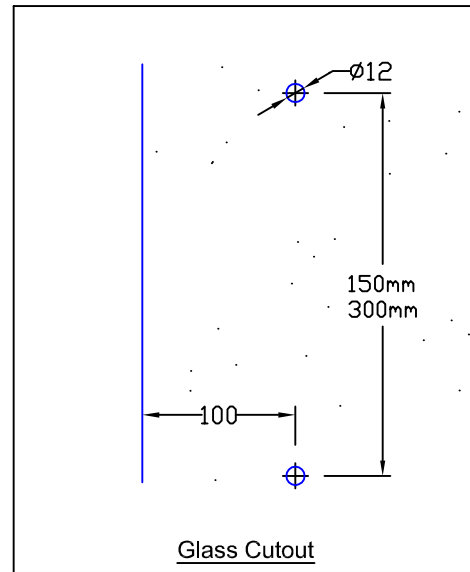
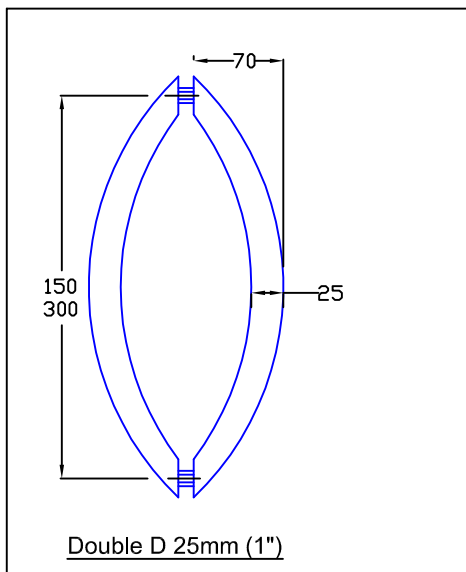


Opus Manufacturing Technical Page

CC25



Double C Handles 25mm

A set consists of one C handle for each side of the glass door. 32mm washers available, in the same, or contrast finish.

Codes: CC25-150
CC25-300

CC25 Handles are constructed of 25mm tubing. Plastic gaskets and spacers are included to protect against glass-to-metal contact.

Standard Finishes: Polished Stainless or Satin Stainless