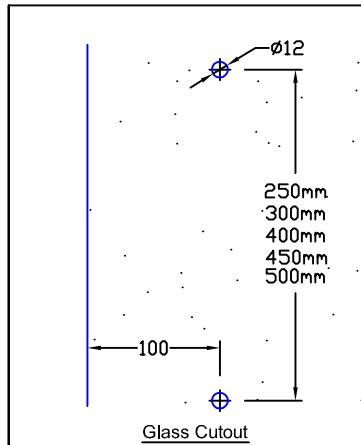
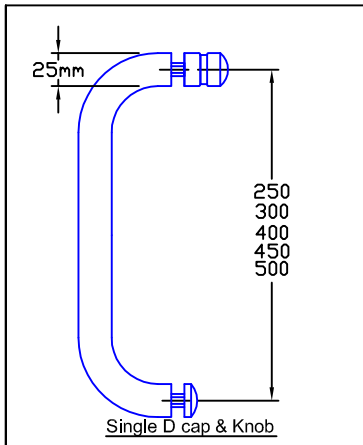


Opus Manufacturing Technical Page

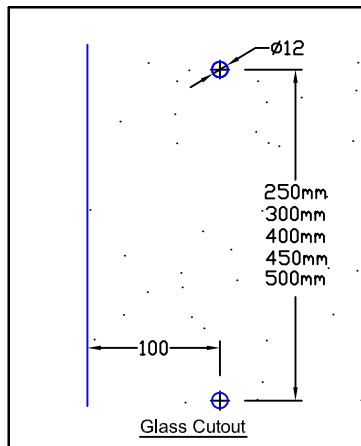
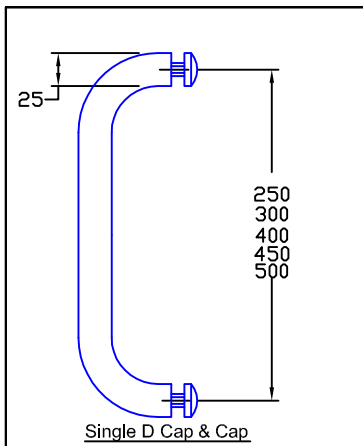
SD25



Single D + Cap & Knob

A set consists of one D handle, with a cap and knob on the other side of the glass door.

Codes: SD25-250CK
SD25-300CK
SD25-400CK
SD25-450CK
SD25-500CK



Single D + Cap and Cap

A set consists of one D handle, with two caps on the other side of the glass door.

Codes: SD25-250CC
SD25-300CC
SD25-400CC
SD25-450CC
SD25-500CC

SD25-CC and SD25-CK The handles are constructed of 25mm tubing. Plastic gaskets and spacers are included to protect against glass-to-metal contact.

Standard Finishes: Polished Stainless, Satin Stainless, Bright Chrome or Gold Plated
Special Options: Brass, Powdercoat or Black Nickel