

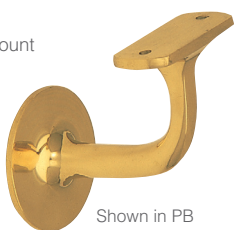
# Bannister Brackets

## Bannister Brackets & Stanchions

Quality, style and functionality are seen in the Windsor range of Bannister Brackets.

- > Made from solid brass
- > Strong, concealed fixing
- > Simple lag screw that can be used with narrow gauged timber framing
- > Quick and easy to install - simply drill a 5mm hole and wind them in
- > Can be supplied with face fixing option

5140  
60mm  
Flat Mount



Shown in PB

5166  
60mm  
Curved Mount



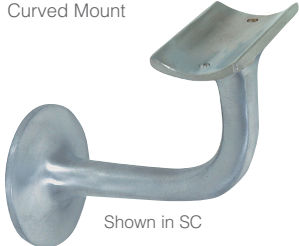
Shown in PB

5153  
75mm  
Flat Mount



Shown in AB

5167  
75mm  
Curved Mount



Shown in SC

Finishes: ▣ AB, BN, PB, SC, UB  
▣ NB, OR, PC, RB, SB

These solid Vulcan/Sigma inspired Stair Rail Brackets have been designed with your internal door hardware in mind.

- > Curved and flat mount options included with each bracket (see diagram below)
- > Suits 40mm–50mm diameter rail
- > Easy install with concealed fittings
- > Design complies with clearances specified in standard NZS/AS 1657:1992

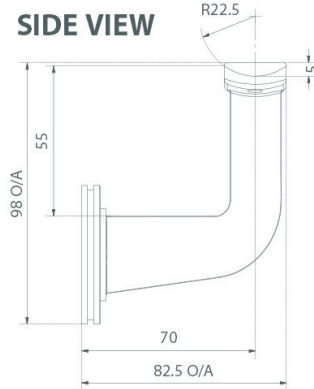
**NEW** Graphite Nickel, Matt Black & Matt Chrome available ex stock

5352 Round



Showing flat mount adaptor

5353 Square



Finishes: ▣ BLK, BN, GN, MC, SC  
▣ PC

Strong, solid and aesthetically appealing, these matching Bannister Stanchions are made from a one piece brass casting, giving quality, economy and style to add that extra touch.

5170 Flat Mount  
50mm to Rail



Shown in AB

5171 Curved Mount  
50mm to Rail



Shown in SC

Finishes: ▣ AB, PB, SC, UB  
▣ NB, OR, PC, RB, SB



5352-BN