

# High Security Showcase & Push Lock



Manufactured by  
**Australian Lock Company Pty Ltd**

17 Doyle Ave, (PO Box 479) Unanderra NSW 2526, Australia.  
**Tel:** 61 2 4272 4922 **Fax:** 61 2 4272 4677

# The BiLock range of high security lock cylinders provide for applications that require optimum security with key restrictions and are fully compatible with each other.

## Showcase/Pushlock

Showcase Lock #7287  
Thru-Glass Pushlock #7288  
Pushlock #7289

### Designed to lock either glazed or timber sliding doors on valuable item showcases

#7287 is mounted on the bottom rail of glazed doors.  
#7289 is mounted through timber sliding doors.  
Both locks are designed to lock overlapping doors.  
#7288 is mounted through glass sliding panels to suit 3-6mm glass.

### Typical Applications

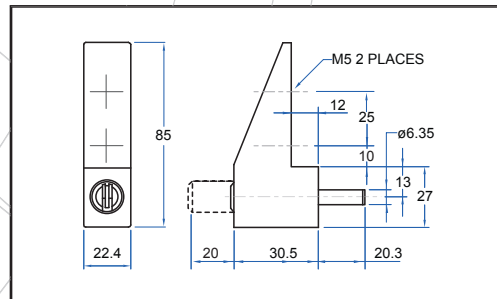
Jewellery	Audio-Visual equipment	Fine China
Cosmetics	Electrical appliances	Trophies
Cameras	Watches	Cigarettes
	Perfume	Alcohol

### Security Advantages

- All models are SCEC endorsed.
- The New Generation BiLock has strong legal protection with a standard patent granted covering the New Generation BiLock moveable element key through until 2019. This standard patent provides the highest level of legal protection available.
- Specialised (unique) proprietary key cutting and forming equipment supplied to accredited BiLock agents only.
- Virtually impossible to pick, rap or read codes through the keyway.
- All 12 pins are equal length, chisel shaped & contain false holes which must interact with two side bars simultaneously to operate lock.
- Dual bladed keyway is highly resistant to impressing.
- Powerful master keying capabilities provide over 16.7 million real key combinations per key profile.
- Manufacturer's Guarantee and warranty.
- Quality Assured manufacturer with exacting tolerances.
- A huge range of compatible cylinder types is available to suit most hardware on the market today.
- BiLock's 8,000 key head colour combination options ensure our systems provide easy visual key identification.
- Features BiLock's Quick Change Core (QCC) option.
- BiLock has received two Australian Design Awards for excellence.
- Recommended by many of Australia's leading architectural firms.

All locks feature key retention when unlocked for additional security.  
Key withdrawal when unlocked is available on special request.

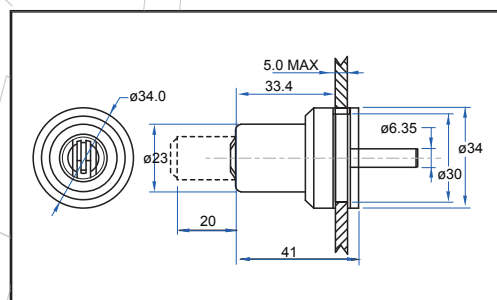
All Dimensions in millimetres (mm)



### Model #7287

#### Showcase Lock

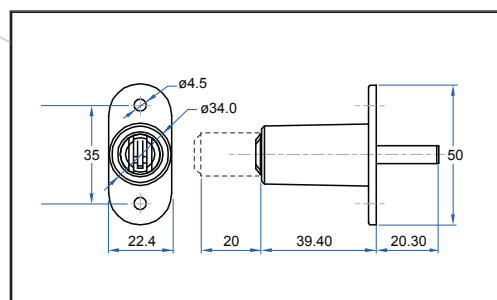
**Body:** Zinc die cast, Chrome Plate (CP) finish  
**Cylinder:** Brass, Chrome Plate (CP) finish  
**Key blank:** Nickel silver



### Model #7288

#### Thru glass Pushlock

**Body:** Zinc die cast, Chrome Plate (CP) finish  
**Cylinder:** Brass, Chrome Plate (CP) finish  
**Key blank:** Nickel silver



### Model #7289

#### Push Lock

**Body:** Zinc die cast, Black power coated  
**Cylinder:** Brass, Chrome Plate (CP) finish  
**Key blank:** Nickel silver



Quality  
Endorsed  
Company  
ISO9001 LicQEC21804  
SAI Global



Proudly designed and manufactured in Australia

Products are available in First Generation, First Generation QCC, New Generation and New Generation QCC.