

# IVES®

## Coordinators

Door controls



Fire Rated: Tested on fire door assemblies in accordance with Australian Standards, refer fire door manufacturer for specific approval details

The COR Series coordinators are designed for use on pairs of doors when one door needs to close before the other.

The coordinator can be used in conjunction with LCN and Briton door closers. Ives coordinator's are designed for commercial projects and are suited to high traffic areas.

## Features

### Bar coordinator

- All COR bar coordinator units are equipped with an override feature which allows the active door to close under extreme pressure
- All COR units are compatible with Ives auto flush bolts
- The COR Series are available in varying sizes for variable door opening widths
- Optional mounting brackets available for other stop applied hardware such as exit devices
- The COR coordinator does not cover the entire length of the stop, so a filler bar can be provided to maintain architecturally clean lines
- COR coordinators are surface mounted and are suitable for installations where door seals may clash with other types of coordinators

### Gravity coordinator

- Non-handed
- Gravity action arm and door bracket are field adjustable for accurate installation
- Rubber roller provides quiet and efficient operation and helps protect the astragal and doors from damage
- Made of forged brass

## Specification guide

Series	Filler bar	Finish
<b>COR</b> 32" (813mm) channel length ..... COR32 42" (1067mm) channel length ..... COR42 52" (1320mm) channel length ..... COR52 <b>CORG</b> 7" (178mm) ..... CORG7 (previously COR65) 9" (228mm) ..... CORG9 (previously COR85)	32" (500-800mm) length ..... FL32	Aluminium ..... AL

1. Series  
 Select the desired length e.g. 813mm ..... COR32/
2. Filler bar  
 Select the filler bar if required e.g. FL32 ..... COR32/FL32/
3. Finish  
 Select the desired finish e.g. Aluminium ..... COR32/FL32/AL

### Specifications

<b>Door opening size</b>	COR32 Length of channel 813mm For opening widths 864 - 1320mm COR42 Length of channel 1067mm For opening widths 1320 - 1828mm COR52 Length of channel 1320mm For opening widths 1575 - 2337mm CORG7 For opening widths up to 1200mm CORG9 For opening widths over 1200mm
<b>Material</b>	COR32, COR42, COR52 Aluminium CORG7, CORG9 Forged brass
<b>Dimensions</b>	COR32, COR42, COR52 41mm W x 16mm D x ordered length CORG7 Arm length 178mm CORG9 Arm length 229mm
<b>Finishes</b>	COR32, COR42, COR52 Aluminium CORG7, CORG9 Satin chrome plate
<b>Warranty</b>	10 year mechanical

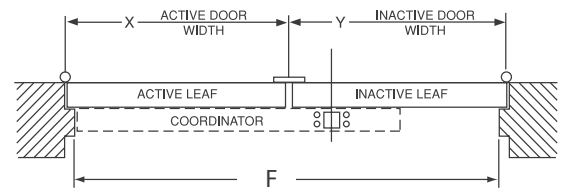
## Unequal size door openings

The coordinator length should equal the active door width plus approximately half the inactive door width. The coordinator must be 150mm longer than the active door width and shorter than the overall frame opening between stops.

## Mounting details

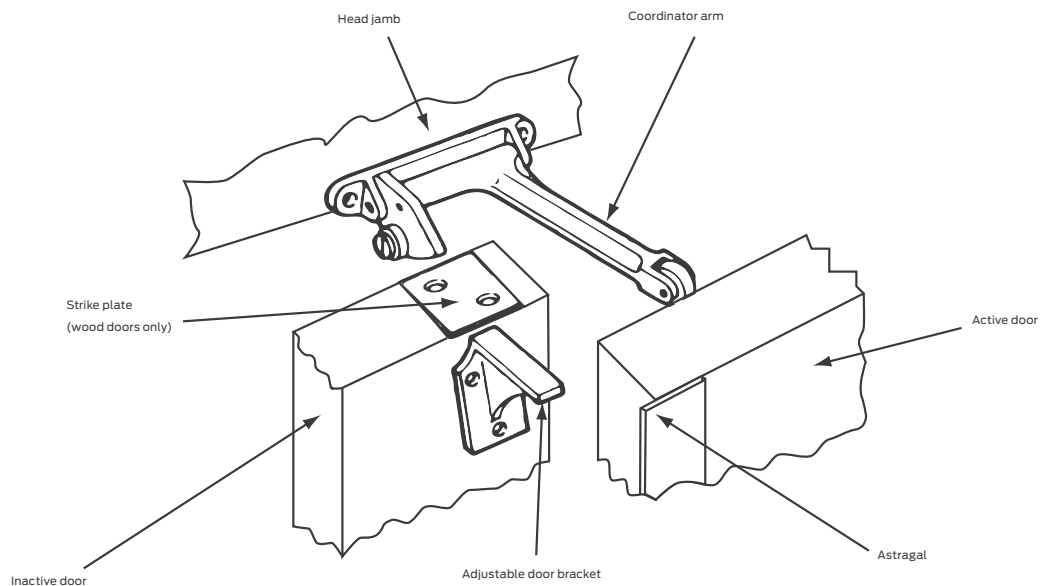
To determine the size COR you need

1. Start with the active door size (x).
2. Next consider the overall frame opening between stops (F).
3. Preferably, the coordinator would equal the active door width (x) + approximately 1/2 inactive door width (y). Keep in mind the coordinator must be 150mm longer than the active door width (x) and less than the overall frame opening between stop (F).



## Operation of gravity coordinator

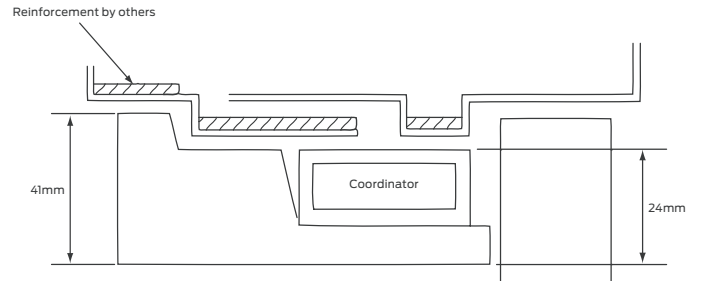
When active door is open, coordinator prevents active door from closing until inactive door bypasses. Closing of inactive door causes strike plate on top of door to contact cam and lift the arm, allowing active door to close. As active door continues closing, roller rides over strike plate on to door bracket, holding arm above active door.



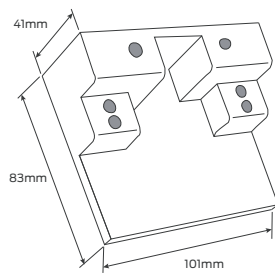
# Ives coordinator accessories

## Mounting bracket MB2

Allows stop mounted hardware to be properly installed without damaging the COR coordinator, such as a parallel arm closer or a non fire-rated surface vertical rod strike. Stop mounted hardware will need to be lowered to compensate for the height of the coordinator and mounting bracket. MB mounting brackets are made of aluminium and normally furnished in a aluminium powder coat finish.

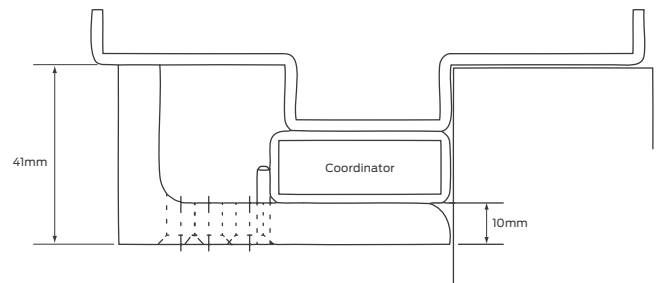


MB2 -  
Jamb depth 120mm  
Stop width up to 64mm

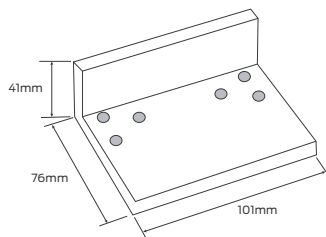


## Mounting bracket MB1F

Allows stop mounted hardware to be properly installed without damaging the COR coordinator, such as a strike for fire-rated surface vertical rod exit device. Stop mounted hardware will need to be lowered to compensate for the height of the coordinator and mounting bracket. MBF mounting brackets are made of 10mm thick steel and furnished in a aluminium powder coat finish



MB1F -  
Jamb depth 127mm  
Stop width 38 - 57mm



## Filler bar FL32

FL filler bars are made of aluminium and are furnished in a anodised finish  
FL filler bars are field sized to suit opening

