

# GRAB BARS

## **3707-M DISABLED COMPLIANT GRAB BAR**

750 x 750 x 32mm peened, non slip grab bar, complies with NZ Building Code, Acceptable Solutions.

Type 304 stainless steel tube with snap fit flanges



## **3703-M ANGLED GRAB BAR**

300 x 300 x 32mm peened, non slip, 135° angled grab bar,

Type 304 stainless steel tube with snap fit flanges

## **3701-12 STRAIGHT GRAB BAR**

300 x 32mm peened, non slip grab bar.

Type 304 stainless steel tube with snap fit flanges

## **3701-18 STRAIGHT GRAB BAR**

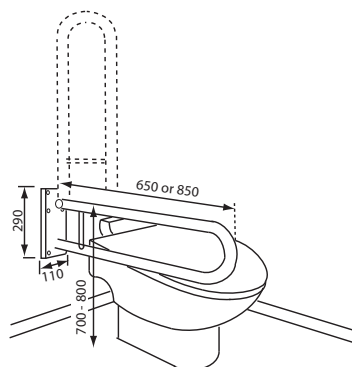
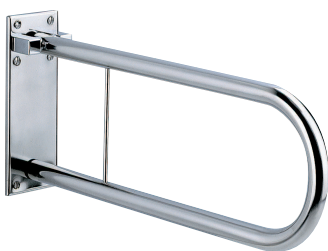
450 x 32mm peened, non slip grab bar.

Type 304 stainless steel tube with snap fit flanges

## **3701-24 STRAIGHT GRAB BAR**

600 x 32mm peened, non slip grab bar.

Type 304 stainless steel tube with snap fit flanges



## **DE5160 P1 FOLD DOWN GRAB BAR**

650 x 32mm polished grab bar.

Type 304 2mm stainless steel tube with 2.5mm stainless steel fing plate c/w stainless steel screws  
Max. user recommended weight 135kgs

## **DE5164 P1 FOLD DOWN GRAB BAR**

850 x 32mm polished grab bar.

As per DE5160 P1 but longer bar  
Max. user recommended weight 135kgs



**MACDONALD  
INDUSTRIES LIMITED**

**20 Carr Rd  
Three Kings  
Auckland**  
p - 09 624 1115  
f - 09 624 1110

e - [sales@macdonaldindustries.co.nz](mailto:sales@macdonaldindustries.co.nz)  
[www.macdonaldindustries.co.nz](http://www.macdonaldindustries.co.nz)

**Wellington:**

p - 04 569 8033

f - 04 569 8066

e - [wellington@macdonaldindustries.co.nz](mailto:wellington@macdonaldindustries.co.nz)

**Christchurch:**

p - 03 348 2356

f - 03 348 2376

e - [christchurch@macdonaldindustries.co.nz](mailto:christchurch@macdonaldindustries.co.nz)