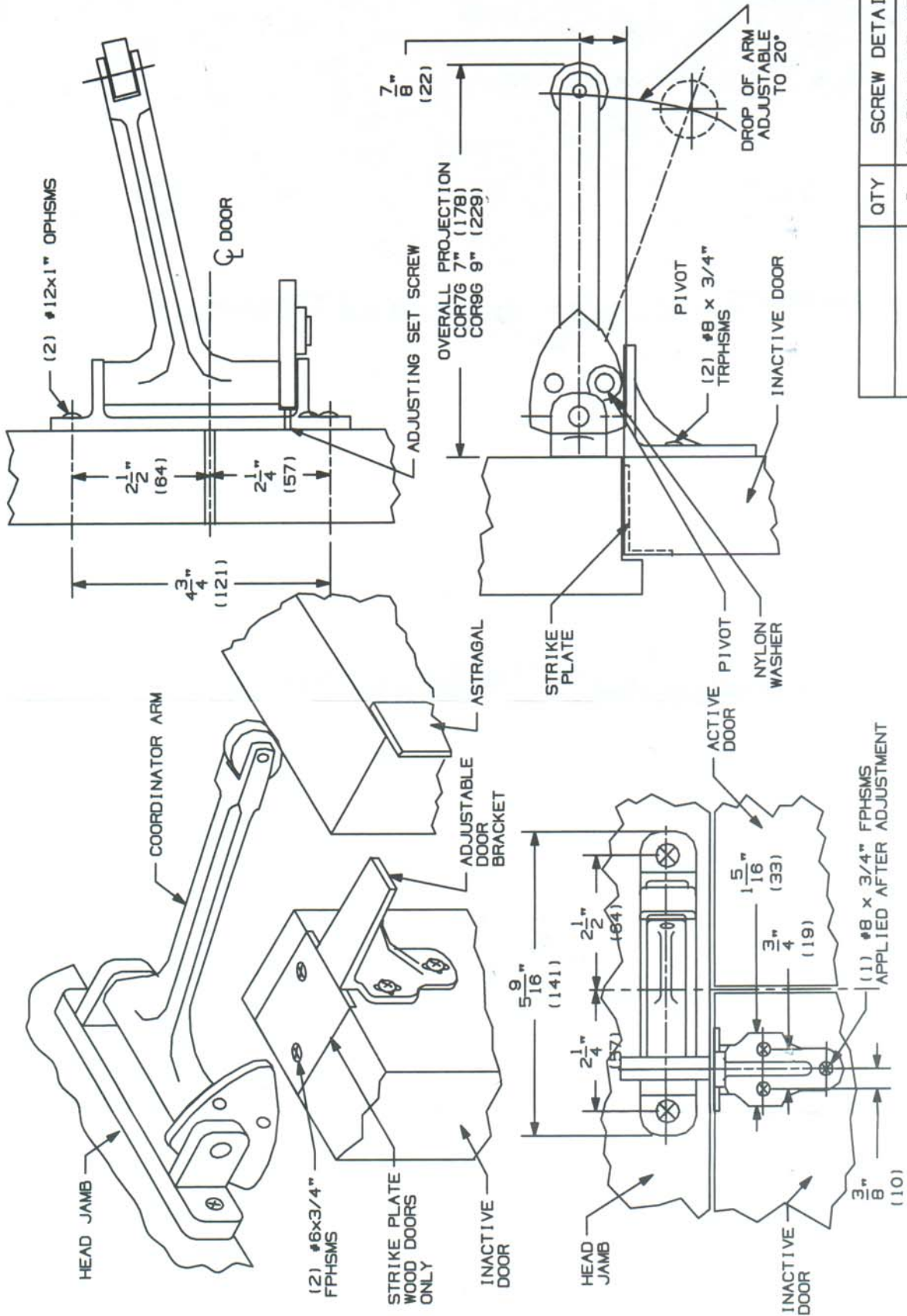


COORDINATING DEVICE FOR USE ON DOORS SWINGING IN PAIRS WITH OR WITHOUT OVERLAPPING ASTRAGAL. NON-HANDED. HOLDS ACTIVE DOOR, PREVENTING IT FROM CLOSING BEFORE THE INACTIVE DOOR. HELPS PROTECT THE ASTRAGAL. GRAVITY ACTION ARM ADJUSTABLE ON TOP.



PIVOT WASHER INSTALLATION:
 INSTALL HALF-THREADED PIVOT AND NYLON WASHER INTO DRILLED AND TAPPED HOLE ON OUTSIDE OF COR SHORT ARM.
 USE HOLE NEAREST TOP OF DOOR, SO WHEN INSTALLED, NYLON WASHER WILL RIDE OVER STRIKE PLATE AS INACTIVE DOOR CLOSES

	QTY	SCREW DETAILS
COORDINATOR	2	10-24 X 1" UFPHMS
DOOR BRACKET	2	10 X 1" OPHSMS
STRIKE PLATE	2	8 X 1" FPHSMS
	2	8 X 1" FPHSMS



**COR7G & COR9G
 GRAVITY COORDINATOR
 INSTALLATION TEMPLATE**



NOTES: DIMENSIONS IN () ARE MILLIMETERS.

TEMPLATE NUMBER: INST.CORG_0

DATE: 09-01-01